


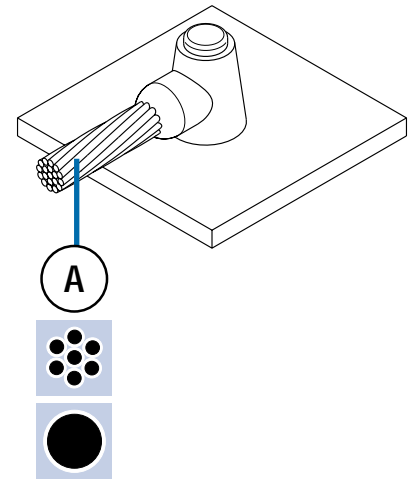



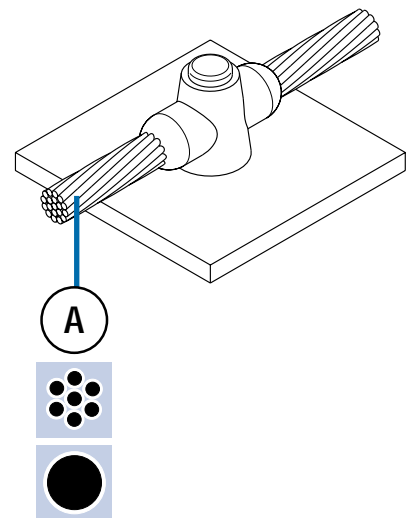


| A mm ² |  |  |  |
|-----------------------------|---|---|---|
| 16 25 35 | | USE CS8 | |
| 8mm Ø | 90P10 | CS1-4-8SC | HCPK4 |
| 50 | 90P10 | CS1-4-50 | HCPK4 |
| 10mm Ø | 90P10 | CS1-4-10SC | HCPK4 |
| 70 | 90P10 | CS1-4-70 | HCPK4 |
| 95 | 115P10 | CS1-4-95 | HCPK4 |
| 120 | 115P10 | CS1-4-120 | HCPK4 |
| 150 | 150P10 | CS1-4-150 | HCPK4 |
| 185 | 200P10 | CS1-4-185 | HCPK4 |
| 240 | 200P10 | CS1-4-240 | HCPK4 |
| 300 | 250P10 | CS1-4-300 | HCPK4 |

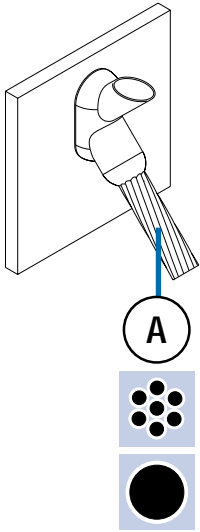


| A mm ² |  |  |  |
|-----------------------------|--|--|--|
| 16 25 35 | | USE CS9 | |
| 8mm Ø | 90P10 | CS2-4-8SC | HCPK4 |
| 50 | 90P10 | CS2-4-50 | HCPK4 |
| 10mm Ø | 115P10 | CS2-4-10SC | HCPK4 |
| 70 | 115P10 | CS2-4-70 | HCPK4 |
| 95 | 115P10 | CS2-4-95 | HCPK4 |
| 120 | 150P10 | CS2-4-120 | HCPK4 |
| 150 | 200P10 | CS2-4-150 | HCPK4 |
| 185 | 250P10 | CS2-4-185 | HCPK4 |
| 240 | 2 x 150P10 | CS2-5-240 | HCPK5 |
| 300 | 2 x 200P10 | CS2-5-300 | HCPK5 |



CS3

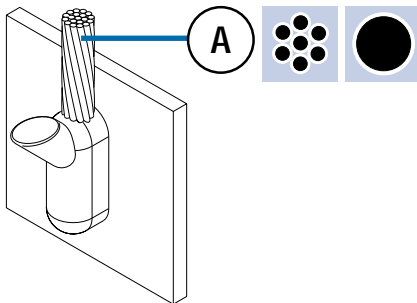
Cable to steel surface and pipe



| A mm ² | | | | MINI | |
|----------------------|--------|------------|-------|------------|-------|
| 16* | 45P10 | CS3-4-16 | HCPK4 | CS3-3-16 | HCPK3 |
| 25 | 45P10 | CS3-4-25 | HCPK4 | CS3-3-25 | HCPK3 |
| 35 | 45P10 | CS3-4-35 | HCPK4 | CS3-3-35 | HCPK3 |
| 8mm Ø | 65P10 | CS3-4-8SC | HCPK4 | CS3-3-8SC | HCPK3 |
| 50 | 65P10 | CS3-4-50 | HCPK4 | CS3-3-50 | HCPK3 |
| 10mm Ø | 90P10 | CS3-4-10SC | HCPK4 | CS3-3-10SC | HCPK3 |
| 70 | 90P10 | CS3-4-70 | HCPK4 | CS3-3-70 | HCPK3 |
| 95 | 115P10 | CS3-4-95 | HCPK4 | CS3-3-95 | HCPK3 |
| 120 | 115P10 | CS3-4-120 | HCPK4 | CS3-3-120 | HCPK3 |
| 150 | 115P10 | CS3-4-150 | HCPK4 | CS3-3-150 | HCPK3 |
| 185 | 200P10 | CS3-4-185 | HCPK4 | - | - |
| 240 | 200P10 | CS3-4-240 | HCPK4 | - | - |
| 300 | 250P10 | CS3-4-300 | HCPK4 | - | - |

* 1 x S103

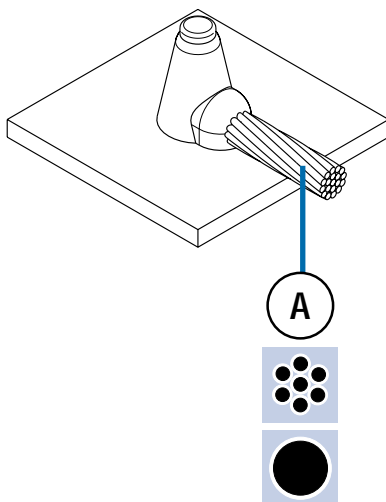
CS7



| A mm ² | | | | MINI | |
|----------------------|------------|------------|-------|-----------|-------|
| 16* | 65P10 | CS7-4-16 | HCPK4 | CS7-3-16 | HCPK3 |
| 25 | 65P10 | CS7-4-25 | HCPK4 | CS7-3-25 | HCPK3 |
| 35 | 65P10 | CS7-4-35 | HCPK4 | CS7-3-35 | HCPK3 |
| 8mm Ø | 90P10 | CS7-4-8SC | HCPK4 | CS7-3-8SC | HCPK3 |
| 50 | 90P10 | CS7-4-50 | HCPK4 | CS7-3-50 | HCPK3 |
| 10mm Ø | 150P10 | CS7-4-10SC | HCPK4 | - | - |
| 70 | 150P10 | CS7-4-70 | HCPK4 | - | - |
| 95 | 200P10 | CS7-5-95 | HCPK4 | - | - |
| 120 | 200P10 | CS7-5-120 | HCPK4 | - | - |
| 150 | 250P10 | CS7-5-150 | HCPK4 | - | - |
| 185 | 2 x 150P10 | CS7-9-185 | HCPK4 | - | - |
| 240 | 2 x 150P10 | CS7-9-240 | HCPK4 | - | - |
| 300 | 2 x 200P10 | CS7-10-300 | HCPK5 | - | - |

* 1 x S103

CS8






| A mm ² | | | |
|----------------------|--------|------------|-------|
| 16* | 45P10 | CS8-2-16 | HCPK2 |
| 25 | 45P10 | CS8-2-25 | HCPK2 |
| 35 | 45P10 | CS8-2-35 | HCPK2 |
| 8mm Ø | 45P10 | CS8-2-8SC | HCPK2 |
| 50 | 45P10 | CS8-2-50 | HCPK2 |
| 10mm Ø | 65P10 | CS8-2-10SC | HCPK2 |
| 70 | 65P10 | CS8-2-70 | HCPK2 |
| 95 | 90P10 | CS8-2-90 | HCPK2 |
| 120 | 115P10 | CS8-4-120 | HCPK4 |
| 150 | 150P10 | CS8-4-150 | HCPK4 |
| 185 | 200P10 | CS8-4-185 | HCPK4 |
| 240 | 200P10 | CS8-4-240 | HCPK4 |
| 300 | 250P10 | CS8-4-300 | HCPK4 |

* 1 x S103



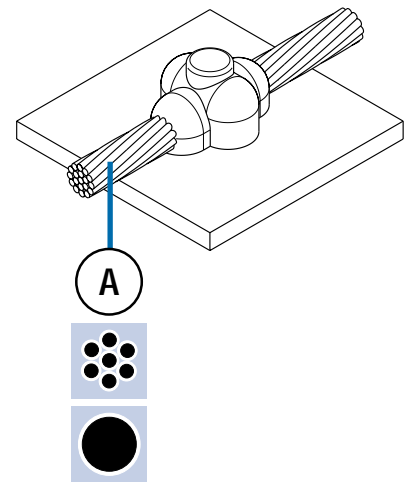
Cable to steel surface and pipe

CS9






| A mm ² |  |  |  |
|----------------------|---|---|---|
| 16* | 45P10 | CS9-2-16 | HCPK2 |
| 25 | 45P10 | CS9-2-25 | HCPK2 |
| 35 | 45P10 | CS9-2-35 | HCPK2 |
| 8mm Ø | 90P10 | CS9-4-8SC | HCPK4 |
| 50 | 90P10 | CS9-4-50 | HCPK4 |
| 10mm Ø | 115P10 | CS9-4-10SC | HCPK4 |
| 70 | 115P10 | CS9-4-70 | HCPK4 |
| 95 | 115P10 | CS9-4-95 | HCPK4 |
| 120 | 150P10 | CS9-4-120 | HCPK4 |
| 150 | 200P10 | CS9-4-150 | HCPK4 |
| 185 | 250P10 | CS9-4-185 | HCPK4 |
| 240 | 2 x 150P10 | CS9-5-240 | HCPK5 |



*  2 x S103

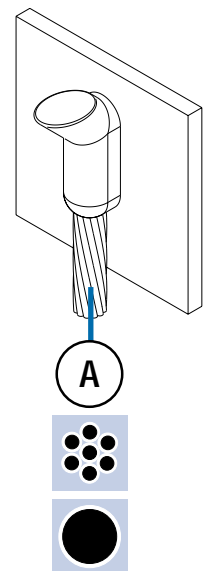


CS25






| A mm ² |  |  |  | MINI  |  |
|----------------------|---|---|---|---|---|
| 16* | 45P10 | CS25-4-16 | HCPK4 | CS25-3-16 | HCPK3 |
| 25 | 45P10 | CS25-4-25 | HCPK4 | CS25-3-25 | HCPK3 |
| 35 | 45P10 | CS25-4-35 | HCPK4 | CS25-3-35 | HCPK3 |
| 8mm Ø | 65P10 | CS25-4-8SC | HCPK4 | CS25-3-8SC | HCPK3 |
| 50 | 65P10 | CS25-4-50 | HCPK4 | CS25-3-50 | HCPK3 |
| 10mm Ø | 90P10 | CS25-4-10SC | HCPK4 | - | - |
| 70 | 90P10 | CS25-4-70 | HCPK4 | CS25-3-70 | HCPK3 |
| 95 | 115P10 | CS25-4-95 | HCPK4 | - | - |
| 120 | 115P10 | CS25-4-120 | HCPK4 | - | - |
| 150 | 150P10 | CS25-4-150 | HCPK4 | - | - |
| 185 | 200P10 | CS25-4-185 | HCPK4 | - | - |
| 240 | 200P10 | CS25-4-240 | HCPK4 | - | - |
| 300 | 250P10 | CS25-4-300 | HCPK4 | - | - |



*  1 x S103

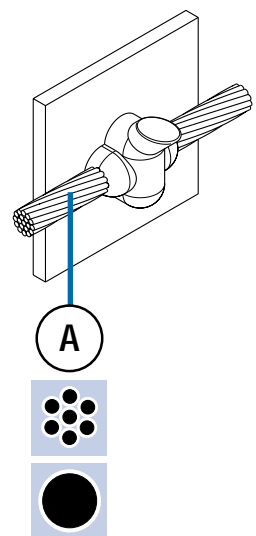


CS27

| A mm ² |  |  |  | MINI  |  |
|----------------------|---|---|---|---|---|
| 16* | 45P10 | CS27-4-16 | HCPK4 | CS27-3-16 | HCPK3 |
| 25 | 45P10 | CS27-4-25 | HCPK4 | CS27-3-25 | HCPK3 |
| 35 | 45P10 | CS27-4-35 | HCPK4 | CS27-3-35 | HCPK3 |
| 8mm Ø | 65P10 | CS27-4-8SC | HCPK4 | CS27-3-8SC | HCPK3 |
| 50 | 65P10 | CS27-4-50 | HCPK4 | CS27-3-50 | HCPK3 |
| 10mm Ø | 115P10 | CS27-4-10SC | HCPK4 | - | - |
| 70 | 115P10 | CS27-4-70 | HCPK4 | - | - |
| 95 | 150P10 | CS27-4-95 | HCPK4 | - | - |
| 120 | 150P10 | CS27-4-120 | HCPK4 | - | - |
| 150 | 200P10 | CS27-5-150 | HCPK5 | - | - |
| 185 | 250P10 | CS27-5-185 | HCPK5 | - | - |
| 240 | 2 x 150P10 | CS27-5-240 | HCPK5 | - | - |
| 300 | 2 x 200P10 | CS27-5-300 | HCPK5 | - | - |

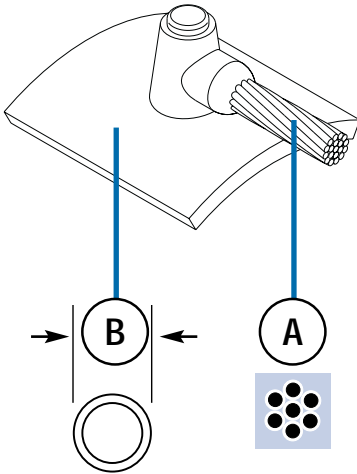


*  2 x S103



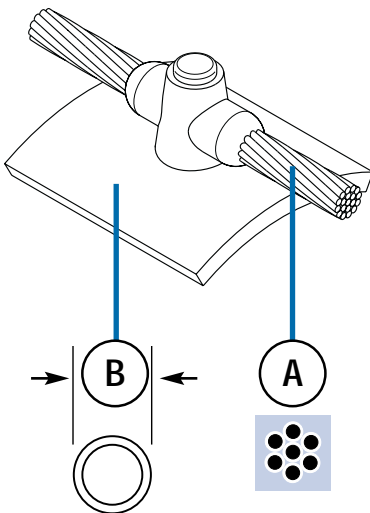
CS32

Cable to steel surface and pipe



| A mm ² | B mm Ø | | | | |
|----------------------|-----------|-------|--------------|-------|----------|
| 2.5 | <125 | 15P10 | CS32-1-2.5-A | HCPK1 | 1 x S105 |
| 2.5 | >125 | 15P10 | CS32-1-2.5-B | HCPK1 | 1 x S105 |
| 4 | <125 | 15P10 | CS32-1-4-A | HCPK1 | 1 x S105 |
| 4 | >125 | 15P10 | CS32-1-4-B | HCPK1 | 1 x S105 |
| 6 | <125 | 15P10 | CS32-1-6-A | HCPK1 | 1 x S105 |
| 6 | >125 | 15P10 | CS32-1-6-B | HCPK1 | 1 x S105 |
| 10 | <125 | 25P10 | CS32-1-10-A | HCPK1 | 1 x S102 |
| 10 | >125 | 25P10 | CS32-1-10-B | HCPK1 | 1 x S102 |
| 16 | <125 | 45P10 | CS32-2-16-A | HCPK2 | 1 x S103 |
| 16 | >125 | 45P10 | CS32-2-16-B | HCPK2 | 1 x S103 |
| 25 | <70 | 25P10 | CS32-1-25-C | HCPK1 | - |
| 25 | 70 - 165 | 25P10 | CS32-1-25-D | HCPK1 | - |
| 25 | >165 | 25P10 | CS32-1-25-E | HCPK1 | - |
| 35 | <70 | 45P10 | CS32-2-35-C | HCPK2 | - |
| 35 | 70 - 165 | 45P10 | CS32-2-35-D | HCPK2 | - |
| 35 | 165 - 250 | 45P10 | CS32-2-35-F | HCPK2 | - |
| 35 | >250 | 45P10 | CS32-2-35-G | HCPK2 | - |
| 50 | <70 | 45P10 | CS32-2-50-C | HCPK2 | - |
| 50 | 70 - 165 | 45P10 | CS32-2-50-D | HCPK2 | - |
| 50 | 165 - 250 | 45P10 | CS32-2-50-F | HCPK2 | - |
| 50 | >250 | 45P10 | CS32-2-50-G | HCPK2 | - |
| 70 | <70 | 65P10 | CS32-2-70-C | HCPK2 | - |
| 70 | 70 - 165 | 65P10 | CS32-2-70-D | HCPK2 | - |
| 70 | 165 - 250 | 65P10 | CS32-2-70-F | HCPK2 | - |
| 70 | >250 | 65P10 | CS32-2-70-G | HCPK2 | - |

CS34



| A mm ² | B mm Ø | | | | |
|----------------------|-----------|-------|--------------|-------|----------|
| 2.5 | <125 | 15P10 | CS34-2-2.5-A | HCPK2 | 2 x S105 |
| 2.5 | >125 | 15P10 | CS34-2-2.5-B | HCPK2 | 2 x S105 |
| 4 | <125 | 15P10 | CS34-2-4-A | HCPK2 | 2 x S105 |
| 4 | >125 | 15P10 | CS34-2-4-B | HCPK2 | 2 x S105 |
| 6 | <125 | 15P10 | CS34-2-6-A | HCPK2 | 2 x S105 |
| 6 | >125 | 15P10 | CS34-2-6-B | HCPK2 | 2 x S105 |
| 10 | <125 | 32P10 | CS34-2-10-A | HCPK2 | 2 x S102 |
| 10 | >125 | 32P10 | CS34-2-10-B | HCPK2 | 2 x S102 |
| 16 | <125 | 45P10 | CS34-2-16-A | HCPK2 | 2 x S103 |
| 16 | >125 | 45P10 | CS34-2-16-B | HCPK2 | 2 x S103 |
| 25 | <70 | 32P10 | CS34-2-25-C | HCPK2 | - |
| 25 | 70 - 165 | 32P10 | CS34-2-25-D | HCPK2 | - |
| 25 | >165 | 32P10 | CS34-2-25-E | HCPK2 | - |
| 35 | <70 | 45P10 | CS34-2-35-C | HCPK2 | - |
| 35 | 70 - 165 | 45P10 | CS34-2-35-D | HCPK2 | - |
| 35 | 165 - 250 | 45P10 | CS34-2-35-F | HCPK2 | - |
| 35 | >250 | 45P10 | CS34-2-35-G | HCPK2 | - |
| 50 | <70 | 65P10 | CS34-2-50-C | HCPK2 | - |
| 50 | 70 - 165 | 65P10 | CS34-2-50-D | HCPK2 | - |
| 50 | 165 - 250 | 65P10 | CS34-2-50-F | HCPK2 | - |
| 50 | >250 | 65P10 | CS34-2-50-G | HCPK2 | - |