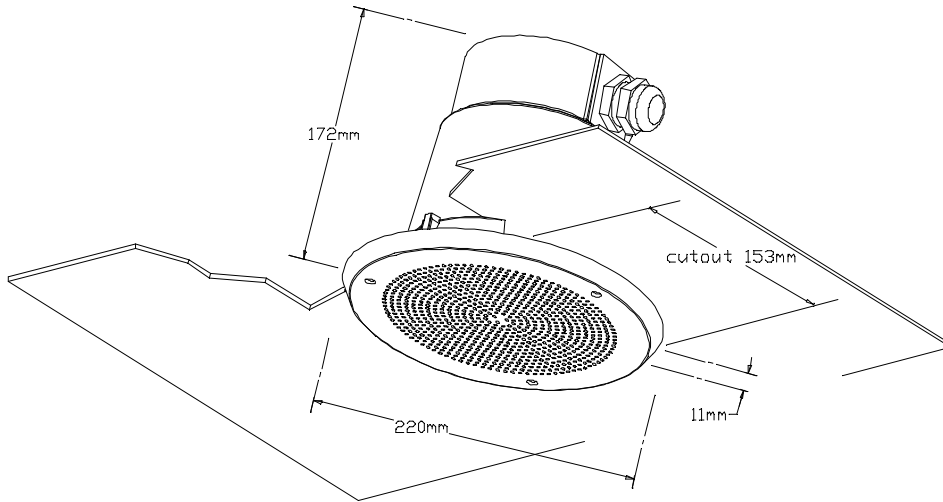




DNH

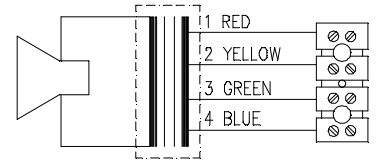
BA-56EExeN(T)

ISO 9001 CERTIFIED

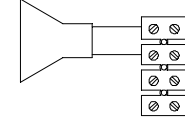


Standard model delivered with two M20
Ex approved plastic blinding plugs

CIRCUIT DIAGRAM
TRANSFORMER



CIRCUIT DIAGRAM
LOW IMPEDANCE LINE



100V transformer
Primary
nominal tapings

1 : 2	6,0 W
2 : 3	3,0 W
3 : 4	1,5 W
1 : 3	1,0 W
2 : 4	0,5 W
1 : 4	0,3 W

Certified by/ Certification code / Number : NEMKO / Ex de IIB+H2 T6 Gb / 10ATEX1050

SPL at 1W/1m Sine wave
SPL vs Freq



Specifications

Material / Color	Aluminum / RAL 9010
Mounting	3 screws
Termination	e-chamber, screw terminals
Weight w/transformer	3,0
IP-rating	54
Max. / min. amb. temp	50°C / -20°C
Rated / max. power	6 W / 6 W
SPL 1W/1m	88 dB
SPL rated power	95 dB
Effective freq. range	160 – 15000 Hz
Dispersion (-6dB) 1kHz / 4kHz	120° / 55°
Directivity factor, Q(2kHz)	
Options	Impedance, colors, labels

Installation, Operation and Maintenance Procedures

- Open the e-chamber by loosening the screws on the lid
- Lead cable through cable gland and connect to screw terminal according required tapping.
- If earthing, use the specially marked screws.
- Fasten lid screws with a torque of 2-3 Nm to assure the IP rating.
- Secure the loudspeaker to ceiling or wall by three screws (not enclosed).
- Mount the grill to the speaker with three screws (enclosed).
- For optimum performance, always use the correct voltage / power and operate within the frequency limits as stated.
- Use only certified / specified cable glands and blanking plugs.
- Standard model delivered with two M20 Ex approved plastic blinding plugs.
- Do not open the loudspeaker when energized.
- This loudspeaker is supplied with a two years warranty against defective workmanship.

DNH reserves the right to alter specifications without notice





Thank you for reading this data sheet.

For pricing or for further information, please contact us at our UK Office, using the details below.



UK Office

Keison Products,

P.O. Box 2124, Chelmsford, Essex, CM1 3UP, England.

Tel: +44 (0)330 088 0560

Fax: +44 (0)1245 808399

Email: sales@keison.co.uk

Please note - Product designs and specifications are subject to change without notice. The user is responsible for determining the suitability of this product.