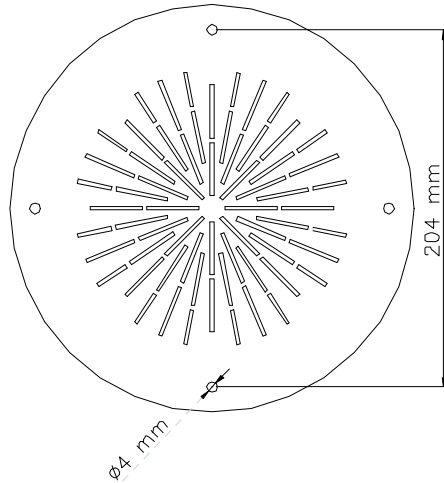
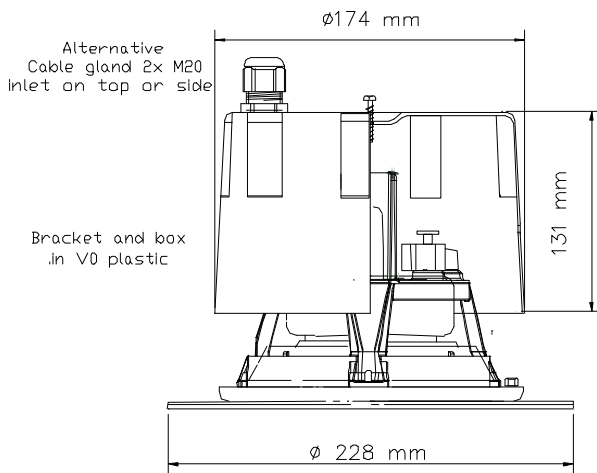




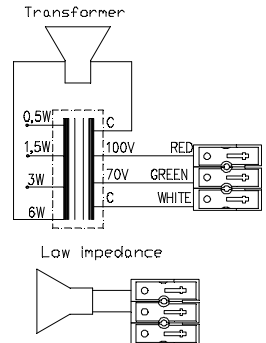
DNH

BF-620(T)

ISO 9001 CERTIFIED



CIRCUIT DIAGRAM



70/100 Volt combined transformer Primary connections

White : Green 70 V
White : Red 100 V

Secondary switch tapings

C : 6W	6 W
C : 3W	3 W
C : 1,5W	1,5 W
C : 0,5W	0,5 W

Sound pressure levels at 1W/1m

SPL vs Freq



Specifications

Material / Color	Aluminum/ RAL9010 V0 plastic box
Mounting	4 screws trough grille
Termination	Spring clamps on bracket
Weight w/transformer	1,2 kg
IP-rating	42
Max. / min. amb. temp	90°C / -20°C
Rated / max. power	6 W / 15 W
SPL 1W/1m	92 dB
SPL rated power	99 dB
Effective freq. range	140 – 20000 Hz
Dispersion (-6dB) 1kHz / 4kHz	130° / 60°
Directivity factor, Q	
Options	Impedances, colors, labels

Installation, Operation and Maintenance Procedures

- Lead the cable trough cable gland in to plastic-box.
- Connect to terminal (70V or 100V) and select required tapping in to the transformer.
- Screw box to loudspeaker mounting bracket and install loudspeaker in wall or ceiling by four screws
- For optimum performance, always use the correct voltage / power and operate within the frequency limits as stated.
- Do not open loudspeaker when energized.
- This loudspeaker is supplied with a 2 year warranty against defective workmanship.

DNH reserves the right to alter specifications without notice





Thank you for reading this data sheet.

For pricing or for further information, please contact us at our UK Office, using the details below.



UK Office

Keison Products,

P.O. Box 2124, Chelmsford, Essex, CM1 3UP, England.

Tel: +44 (0)330 088 0560

Fax: +44 (0)1245 808399

Email: sales@keison.co.uk

Please note - Product designs and specifications are subject to change without notice. The user is responsible for determining the suitability of this product.