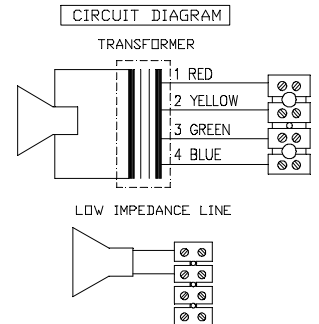
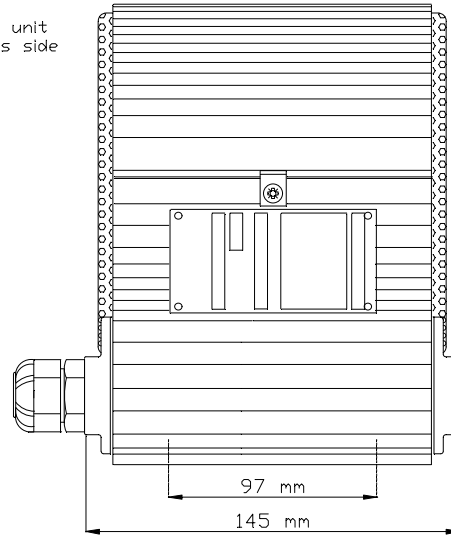
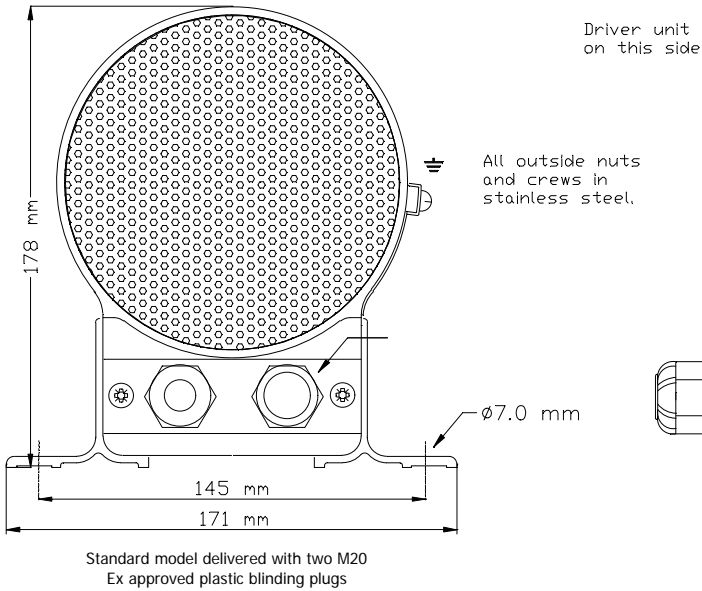




DNH

CAREEX-6(T)

ISO 9001 CERTIFIED



100 Volt transformer
Primary connections

1 : 2	6,0 W
2 : 3	3,0 W
3 : 4	1,5 W
1 : 3	1,0 W
2 : 4	0,5 W
1 : 4	0,3 W

Certified by/ Certification code / Number: NEMKO / EEx de IIB+H2 T6 Gb/ Nemko 10 ATEX 1054
IECEx NEM 11.0016



Sound pressure levels at 1W/1m
SPL vs Freq



Specifications

Material / Color	Aluminum / Anodized
Mounting	Foot Bracket
Termination	e-chamber, screw terminals
Weight w/transformer	3,6 kg
IP-rating (e-chamber)	67
Max. / min. amb. temp	40°C / -20°C
Rated / max. power	6 W / 6 W
SPL 1W/1m	90 dB
SPL rated power	97 dB
Effective freq. range	160 – 16000 Hz
Dispersion (-6dB) 1kHz / 4kHz	200° / 40°
Directivity factor, Q 1kHz	1,8
Options	Impedances, colors, labels

Installation, Operation and Maintenance Procedures

- Fasten loudspeaker to wall or ceiling with four screws by use of the extruded aluminum brackets on each side.
- Enter the e-chamber by loosening the screws on the lid and terminate the cable in the screw terminal.
- Fasten lid screws with a torque of 2 – 2,2 Nm to assure the IP rating.
- For optimum performance, always use the correct voltage / power and operate within the frequency limits as stated.
- Use only certified/specified cable glands and blinding plugs.
- Standard model delivered with two M20 Ex approved plastic blinding plugs.
- Do not open loudspeaker when energized.
- Ex-loudspeakers must be earthed correctly using the specially marked screws.
- This loudspeaker is supplied with a two years warranty against defective workmanship.

DNH reserves the right to alter specifications without notice





Thank you for reading this data sheet.

For pricing or for further information, please contact us at our UK Office, using the details below.



UK Office

Keison Products,

P.O. Box 2124, Chelmsford, Essex, CM1 3UP, England.

Tel: +44 (0)330 088 0560

Fax: +44 (0)1245 808399

Email: sales@keison.co.uk

Please note - Product designs and specifications are subject to change without notice. The user is responsible for determining the suitability of this product.