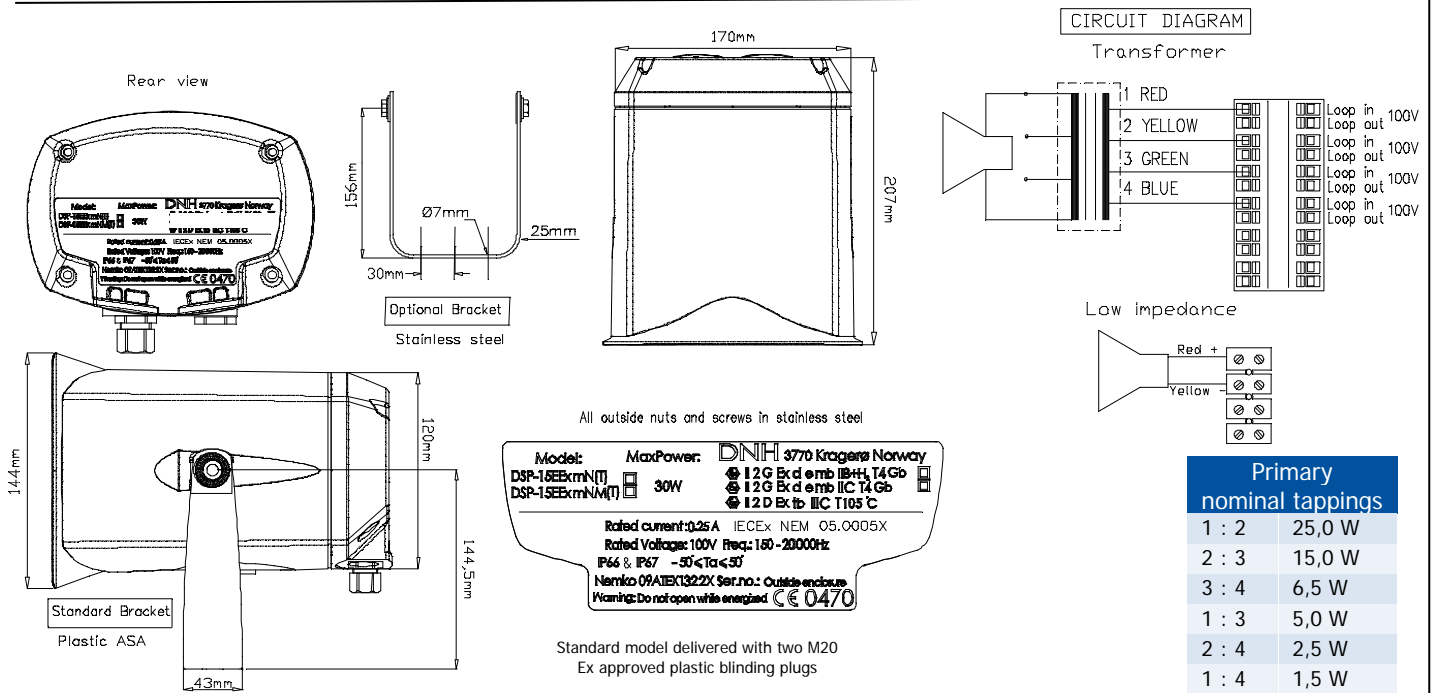




# DNH

## DSP-15EExmN(T)

ISO 9001 CERTIFIED



### Sound pressure levels at 1W/1m

#### SPL vs Freq



### Specifications

	IIB	IIC
Material / Color	Anti-static PA / Black	
Mounting	Bracket	
Termination	e-chamber, push terminals	
Weight w/transformer	2,2 kg	
IP-rating	66 / 67	
Max. / min. amb. temp	50°C / -50°C	
Rated / max. power	25 W / 30 W	
SPL 1W/1m	105 dB	102 dB
SPL rated power	118 dB	115 dB
Effective freq. range	380 – 7000 Hz	450-6000
Dispersion (-6dB) 1kHz / 4kHz	200° / 47°	105° / 35°
Directivity factor, Q 1kHz	1,8	
Options	Impedances, labels	

### Installation, Operation and Maintenance Procedures

- Remove lid by four screws, lead cable through the cable gland and connect to terminal with required tapping.
- Screw lid back into place by four screws with a torque of 2Nm to assure the IP rating.
- To change the position of the loudspeaker, please adjust the standard U- bracket (by loosening / tightening the screws) as required.
- Use only certified/specified cable glands and blanking plugs reflecting the same IP rating and temperature range as the loudspeaker.
- Standard model delivered with two M20 Ex approved plastic blinding plugs.
- DSP-15EExmN(T) can be supplied with three different bracket systems, according to customer requirements.
- For optimum performance, always use the correct voltage / power and operate within the frequency limits as stated.
- Do not open loudspeaker when energized.
- This loudspeaker is supplied with a two years warranty against defective workmanship.

DNH reserves the right to alter specifications without notice





Thank you for reading this data sheet.

For pricing or for further information, please contact us at our UK Office, using the details below.



**UK Office**

**Keison Products,**

**P.O. Box 2124, Chelmsford, Essex, CM1 3UP, England.**

**Tel: +44 (0)330 088 0560**

**Fax: +44 (0)1245 808399**

**Email: [sales@keison.co.uk](mailto:sales@keison.co.uk)**

Please note - Product designs and specifications are subject to change without notice. The user is responsible for determining the suitability of this product.