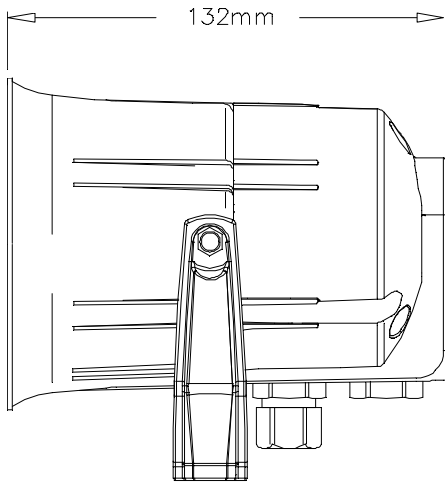




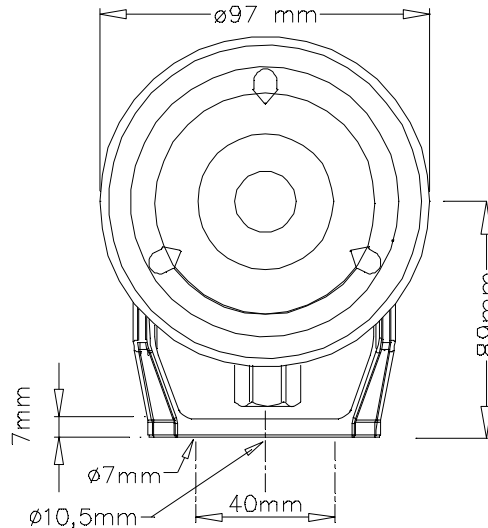
DNH

HP-6C(T)

ISO 9001 CERTIFIED

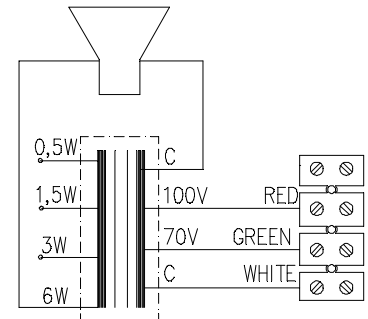


1xM20 cable gland
1xM20 blanking plug
cable diameter
6 – 12mm



All outside nuts and screws in stainless steel

CIRCUIT DIAGRAM



Secondary nominal tapings	
C : 6W	6,0 W
C : 3W	3,0 W
C : 1,5W	1,5 W
C : 0,5W	0,5 W

Sound pressure levels at 1W/1m MP-6

SPL vs Freq



Specifications

Material / Color	Polyamide UL94 V0 / RAL 7035
Mounting	Bracket
Termination	Inside screw terminal
Weight w/transformer	0,62 kg
IP-rating	67
Max. / min. amb. temp	110°C / -40°C
Rated / max. power	6 W / 10 W
SPL 1W/1m	100 dB
SPL rated power	107 dB
Effective freq. range	300 – 20000 Hz
Dispersion (-6dB) 1kHz / 4kHz	
Directivity factor, Q(2kHz)	
Options	Impedance, colors, labels

Installation, Operation and Maintenance Procedures

- Remove lid, lead cable through cable gland and connect to terminal.
- Tapp transformer by moving black cable to the right. (Standard tapped at 6W).
- Fasten bracket with 1-3 screws.
- Fasten lid with a torque of 1 – 2 Nm.
- To change the position of the loudspeaker, please adjust the bracket (by loosening / tightening the screws) as required.
- For optimum performance, always use the correct voltage / power and operate within the frequency limits as stated.
- This loudspeaker is supplied with a 2 year warranty against defective materials and workmanship.

DNH reserves the right to alter specifications without notice





Thank you for reading this data sheet.

For pricing or for further information, please contact us at our UK Office, using the details below.



UK Office

Keison Products,

P.O. Box 2124, Chelmsford, Essex, CM1 3UP, England.

Tel: +44 (0)330 088 0560

Fax: +44 (0)1245 808399

Email: sales@keison.co.uk

Please note - Product designs and specifications are subject to change without notice. The user is responsible for determining the suitability of this product.