

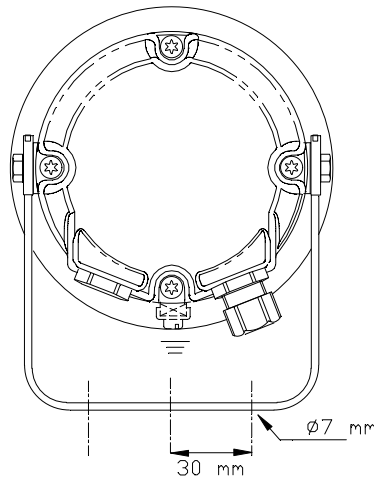
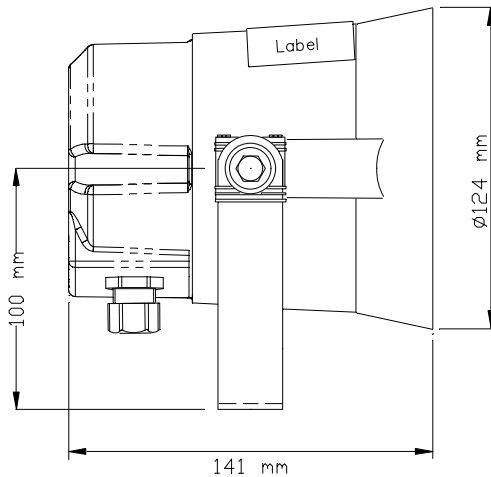


DNH

HS-8EExmNT

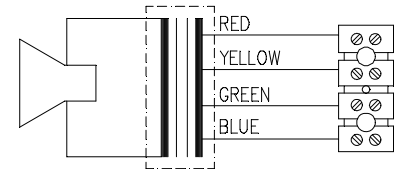
ISO 9001 CERTIFIED

Bracket and all outside nuts and screws in stainless steel



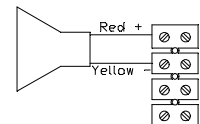
Standard model delivered with two M20 Ex approved plastic blinding plugs

CIRCUIT DIAGRAM



100V line Primary nominal tapings	
Red : Yellow	8,0 W
Red : Green	4,0 W
Red : Blue	2,0 W

Low impedance



Certification: NEMKO 10ATEX1051

II 2G Ex d e mb IIC T6 Gb -50°C ≤ Ta +50°C

II 2G Ex d e mb IIB+H2 T6 Gb -50°C ≤ Ta +50°C

Sound pressure levels at 1W/1m

SPL vs Freq



Specifications

IIB

IIC

Material / Color	Aluminum alloy SS4263 / RAL7035	
Mounting	Bracket	
Termination	e-chamber, screw terminals	
Weight w/transformer	2,0 kg	
IP-rating	66 / 67	
Max. / min. amb. temp	50°C / -50°C	
Rated / max. power	8 W / 8 W	
SPL 1W/1m	100 dB	94 dB
SPL rated power	108 dB	102 dB
Effective freq. range	550 – 7000 Hz	650-7000
Dispersion (-6dB) 1kHz / 4kHz	171° / 47°	105° / 35°
Directivity factor, Q 1kHz	2,1	
Options	Impedances, colors, labels	

Installation, Operation and Maintenance Procedures

- Unscrew lid, lead cable through cable gland and connect to terminal.
- If the Ex-loudspeaker is to be earthed, it must be done correctly using the specially marked screws.
- Tighten cable gland and screw lid back on with 2-3 Nm to assure IP grade.
- Fasten the bracket with three screws and ensure to use all washers in the intended position. (To isolate the main body from the bracket).
- To change the position of the loudspeaker, please adjust the bracket (by loosening / tightening the screws) as required.
- Use only certified/specified cable glands and blinding plugs.
- Standard model delivered with two M20 Ex approved plastic blinding plugs.
- The aluminum surface of the loudspeaker should be treated regularly with paint at the same interval as with other similar outdoor equipment.
- For optimum performance, always use the correct voltage / power and operate within the frequency limits as stated.
- Do not open loudspeaker when energized.
- This loudspeaker is supplied with a two years warranty against defective materials and workmanship.

DNH reserves the right to alter specifications without notice





Thank you for reading this data sheet.

For pricing or for further information, please contact us at our UK Office, using the details below.



UK Office

Keison Products,

P.O. Box 2124, Chelmsford, Essex, CM1 3UP, England.

Tel: +44 (0)330 088 0560

Fax: +44 (0)1245 808399

Email: sales@keison.co.uk

Please note - Product designs and specifications are subject to change without notice. The user is responsible for determining the suitability of this product.