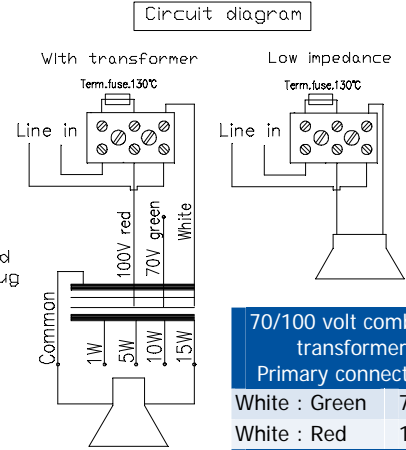
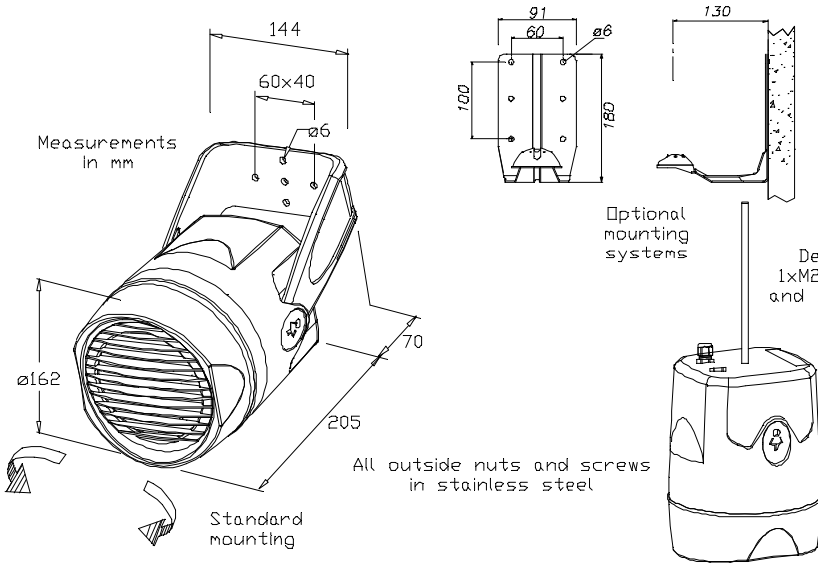




DNH

VEP-15(T)

ISO 9001 CERTIFIED



70/100 volt combined transformer Primary connections	
White : Green	70 V
White : Red	100 V
Secondary nominal tapings	
C : 15W	15 W
C : 10W	10 W
C : 5W	5 W
C : 1W	1 W

Sound pressure levels at 1W/1m P-5/15B



Specifications

Material / Color	ABS / V0 / RAL7035
Mounting	Bracket
Termination	Ceramic terminal
Weight w/transformer	1,84 kg
IP-rating	55
Max. / min. amb. temp	90°C / -40°C
Rated / max. power	15 W / 20 W
SPL 1W/1m	92 dB
SPL rated power	104 dB
Effective freq. range	150 – 20000 Hz
Dispersion (-6dB) 1kHz / 4kHz	° / °
Options	Impedance, colors, labels

Installation, Operation and Maintenance Procedures

- Fasten bracket with minimum 2 screws.
- To open the loudspeaker turn the front gently counter clockwise and pull.
- Lead cable through cable gland and connect to terminal.
- If 70V, replace red cable with the green cable in the terminal.
- To close the loudspeaker, align the two marks on the front and rear parts, and turn the front gently clockwise till it stops.
- Use the attached stop screw to secure the front from undesirable opening during operation. (Optional)
- For optimum performance, always use the correct voltage / power and operate within the frequency limits as stated.
- Do not open loudspeaker when energized.
- This loudspeaker is supplied with a 2 year warranty against defective workmanship

DNH reserves the right to alter specifications without notice





Thank you for reading this data sheet.

For pricing or for further information, please contact us at our UK Office, using the details below.



UK Office

Keison Products,

P.O. Box 2124, Chelmsford, Essex, CM1 3UP, England.

Tel: +44 (0)330 088 0560

Fax: +44 (0)1245 808399

Email: sales@keison.co.uk

Please note - Product designs and specifications are subject to change without notice. The user is responsible for determining the suitability of this product.