



# HAWKER LEVEL CONTROL SYSTEMS

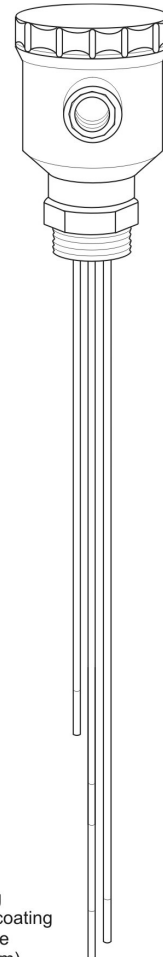
## Light Duty Multi Electrode Holder Type E14

The E14 is available in 2, 3 or 4 way versions to accommodate up to four 3.2mm diameter electrodes. The body is moulded in polypropylene with a screw on cap. The mounting thread is 3/4 B.S.P. parallel. In addition, a lock nut is provided. The screwed conduit entry is 20mm diameter. Electrodes (other than hastelloy) are plastic coated to prevent tracking. For applications where excessive moisture is present, a recessed headed version is available and it is possible to have cable connected at works and the terminals potted. Two spacers are included to separate the electrodes. For use at normal atmospheric pressure and temperatures between -20°C and +60°C not suitable for aggressive liquids which attack polypropylene.

Intrinsically Safe Models are available for use with P7/IS level controller (Type Ref – 1GOHPE14/IS).

For ordering purposes, the head and electrodes are ordered separately. When ordering please specify-

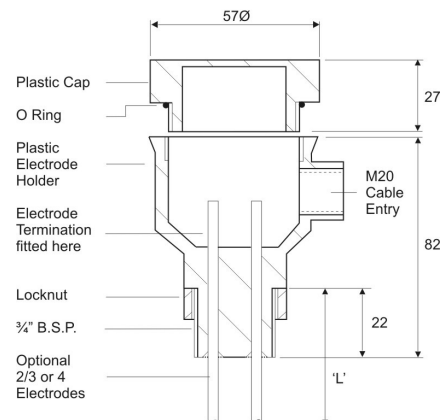
- 1) E14/N - Where N = No of electrodes 2, 3 or 4
- 2) L = Length of electrodes below shoulder in mm
- 3) E14 electrode holders are normally supplied as fully made up assemblies c/w electrodes fitted. If you would prefer us not to fit the electrodes please advise when ordering.
- 4) Additional pairs of spacers/separators are available if required Type Ref 216.



When installing bare back the coating on the electrode (Minimum 50mm)

Material - Coating	Order Ref	Dia	Max Length	Coating Colour
S/Steel 316L- Epoxy Thermomelt Coated	176	3.2mm	1m	Black
S/Steel 316L- Epoxy Fusion Bond Coated	219	3.2mm	1m	Aqua Green
Titanium - Epoxy Thermomelt Coated	207	3.2mm	1m	Blue
Hastelloy – Uncoated/Bare	220	3.2mm	880mm	None

Other coatings are available to special order. An optional mounting bracket is available Type Ref 71/MS or 71/SS in 316L grade S/Steel. The electrodes are a tight push to fit in to the body, which should be warmed to approximately 80°C to facilitate fitting or removal.





Thank you for reading this data sheet.

For pricing or for further information, please contact us at our UK Office, using the details below.



**UK Office**

**Keison Products,**

**P.O. Box 2124, Chelmsford, Essex, CM1 3UP, England.**

**Tel: +44 (0)330 088 0560**

**Fax: +44 (0)1245 808399**

**Email: [sales@keison.co.uk](mailto:sales@keison.co.uk)**

Please note - Product designs and specifications are subject to change without notice. The user is responsible for determining the suitability of this product.