

IntelliDoX, unmatched performance and customization

The IntelliDoX instrument management system combines smart docking modules with Fleet Manager II software to provide automated instrument management, helping drive productivity, reliability and efficiency. Place the detector in the docking module, and it automatically tests the gas detector and sensors while transferring data to the docking station.


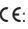
The IntelliDoX delivers quicker bump tests for better productivity. Bump as many as five detectors in less than a minute. That means no more queues of workers waiting to test their detectors. Gang up to five IntelliDoX for even greater productivity, each module can function independently, managing fleets of detectors, all simultaneously.

Efficient when networked via Ethernet or stand-alone, transfer data with a USB drive, the IntelliDoX is the solution for easy record-keeping, to transfer bump tests, peak exposures and other gas-detection data.

Standard Package Contents

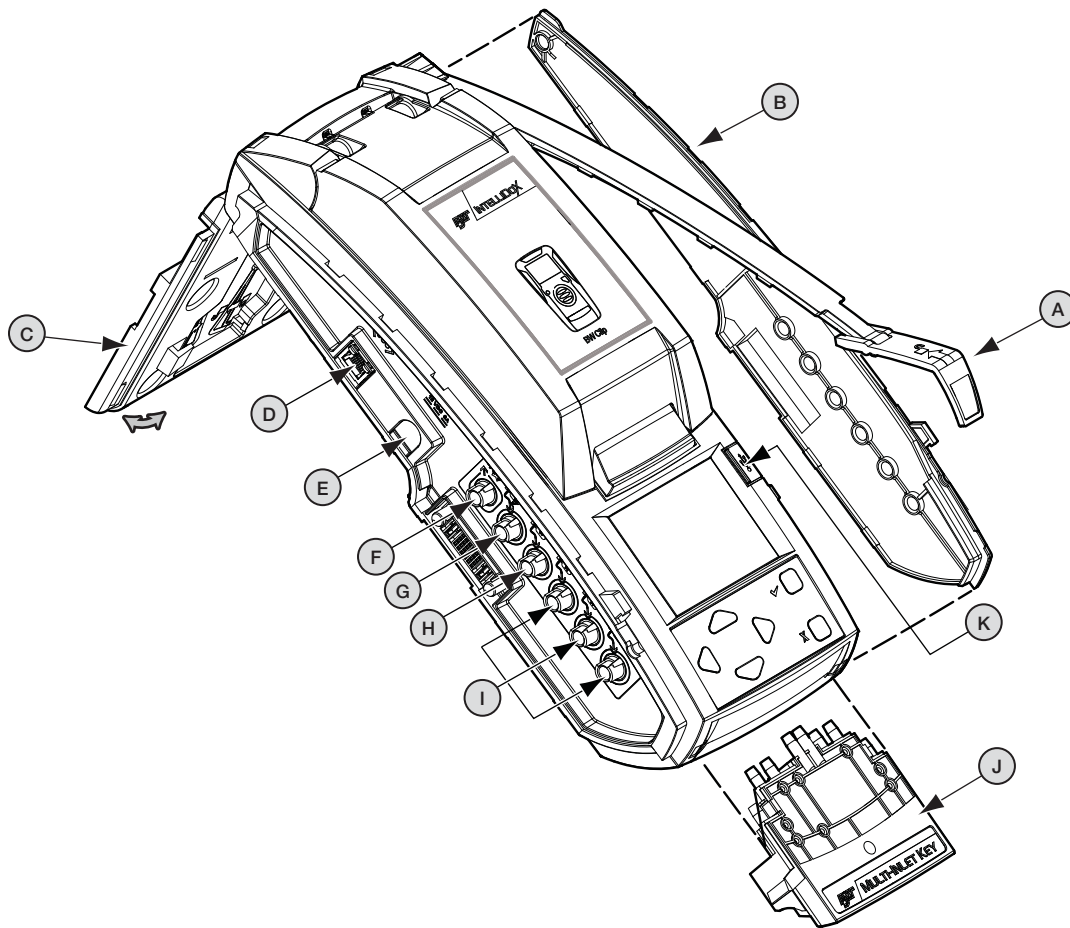
- IntelliDoX module with factory-installed nest for specified portable gas detector
- Integrated retractable stand/wall mount
- Quick Reference Guide
- Operator's Manual CD
- Fleet Manager II software CD

General Specifications

Size	5.4 x 14.2 x 4.3 in. / 13.8 x 36.2 x 10.9 cm (per docking module)
Weight	4.2 lbs. / 1.91 kg
Power Supply	12 V / 8.33A ITE
External interface	1 USB port, 1 ethernet port
Pump	Flow rate: 350 ml/min (independent pump in each module)
Automatic tests	FastBump: 10 seconds Standard bump: 40 seconds Hibernation
LCD Display Color Coding	Yellow "TEST", Green "PASS", Red "FAIL"
Certifications and approvals	<p> Certificate of Compliance; CSA/UL 61010-1 (3rd Ed)</p> <p> EC Declaration of Conformity; EMC Directive & Low Voltage Directive</p>
Warranty	Full two year warranty



IntelliDoX (continued)



Legend Description

Legend	Description
A	Latch arm
B	End plate
C	Integrated back panel
D	Ethernet port
E	Power supply port
F	Exhaust outlet
G	Purge inlet
H, I	Gas inlets
J	Multi-Inlet Key
K	USB port

How to Assemble an IntelliDoX and prepare for first-time use

1. Attach the inlet end plate - Unlock and raise the latch arm (A). Attach the end plate (B) to the right side of the IntelliDoX. Lower and lock the latch arm (A).
2. Connect the purge inlet filter - Ensure that the filter assembly is free of obstructions and defects. Connect the filter assembly to the purge inlet (G). If necessary, attach extension tubing to the filter assembly to draw ambient air from an adjacent fresh air environment.
3. Connect the exhaust tubing - Inspect the exhaust tubing to ensure that it is free of obstructions and defects. Connect the exhaust tubing to the exhaust outlet (F). Ensure that the exhaust tubing is not connected to a negative pressure system, or obstructed in any way.
4. Connect the calibration gas tubing - Inspect the calibration gas tubing to ensure that it is free of obstructions and defects. Connect the calibration gas tubing to a demand flow regulator. Ensure that the calibration gas tubing is connected to a 3L/min Demand Flow regulator. Connect the calibration gas tubing to the first gas inlet (H). Attaching additional calibration gas tubing to an IntelliDoX inlets 2, 3, or 4 (I) requires the attachment of the Multi-Inlet Key (J) on each module that requires this gas.
5. Connect the power - Connect the AC power cord to the power supply. Connect the power supply to the power connection on the IntelliDoX module (E). Plug the AC power cord into a suitable wall outlet. When the power is connected, the IntelliDoX LCD activates and a self-test is performed.

6. Connect to a Computer Network - Insert one end of the Ethernet cable into the Ethernet port on the IntelliDoX module (D). Insert the free end of the Ethernet cable into the network outlet.
7. The integrated back panel of the IntelliDoX (C) may be used as a retractable stand suitable for table top use or as a wall mount to support an individual module or gang of up to five connected modules. Refer to the operator's manual for assembly instructions

How to Assemble Up To Five Connected Modules

1. Unlock and raise the latch arm (A) on the first module. If an end plate (B) is attached, remove it.
2. Align the connection port and outlets on the first module with the connection port and inlets on a second module. Push the modules firmly together to connect.
3. Lower and lock the latch arm (A).
4. Repeat as necessary to connect up to a maximum of five IntelliDoX modules in one gang.
5. When the gang is complete, attach the end plate (B) to the last module in the gang.

IntelliDoX (continued)

IntelliDoX Docking System	Order Number
IntelliDoX docking station for BW Clip	DX-CLIP
IntelliDoX enabler kit, NA version (North America) <i>Includes power supply with region-specific AC power cord, ethernet cable, inlet (purge) filter assembly, 3 ft. / 1 m calibration gas tubing, 3 ft. / 1 m purge gas tubing, 15 ft. / 4.5 m exhaust tubing, quick connect fittings and IntelliDoX inlet end plate</i>	DX-ENBL-NA

IntelliDoX Accessories	Order Number
IntelliDoX Single-Inlet Key	DX-SI-KEY
IntelliDoX Multi-Inlet Key	DX-MI-KEY
AC power supply for IntelliDoX, NA version (North America)	DX-PS-NA
Demand flow regulator	REG-DF-1
Demand flow regulator for refillable cylinders, CGA connector	REG-DF-2
Demand flow regulator for disposable steel cylinders	REG-DF-3

IntelliDoX Spares & Replacements	Order Number
IntelliDoX Nest for BW Clip	DX-NEST-CLIP
IntelliDoX universal latch arm (kit of 5)	DX-ARM
IntelliDoX universal inlet cover (kit of 5)	DX-COVER
IntelliDoX filters and hoses kit	DX-FILTERS
IntelliDoX inlet filters (kit of 5)	DX-IF-5
IntelliDoX retractable stand/wall mount (kit of 5)	DX-STAND

What's in the Box

IntelliDoX Docking Module

Each IntelliDoX Docking Module package contains:

1. One IntelliDoX module with a factory-installed nest for a compatible portable gas detector;
2. Integrated retractable stand / wall mount;
3. One printed Quick Reference Guide;
4. One CD containing the IntelliDoX Operator's Manual in PDF format; and
5. One CD containing Fleet Manager II software, version 4.x or higher.

The power adapter, power cord, calibration gas tubing, exhaust tubing, and user manual are packaged separately as the IntelliDoX Enabler Kit.

If the IntelliDoX module is damaged or if parts are missing, contact BW Technologies or an authorized distributor immediately.

IntelliDoX Enabler Kit

One Enabler Kit is required for each stand-alone IntelliDoX module or gang of up to 5 connected modules.

Each IntelliDoX Enabler Kit package contains:

1. One power supply and AC power cord appropriate to shipping destination;
2. One IntelliDoX end plate;
3. One ethernet cable;
4. Calibration gas cylinder tubing and purge gas tubing, 4.6 meters(15 feet);
5. Quick connect fittings;
6. Inlet filters;
7. Assorted connectors;
8. One printed Quick Reference Guide.
9. One CD containing the IntelliDoX Operator Manual in PDF format; and
10. One CD containing Fleet Manager II software

If Enabler Kit parts are damaged or missing, or if additional Enabler Kits are required, contact BW Technologies or an authorized distributor immediately.



Thank you for reading this data sheet.

For pricing or for further information, please contact us at our UK Office, using the details below.



UK Office

Keison Products,

P.O. Box 2124, Chelmsford, Essex, CM1 3UP, England.

Tel: +44 (0)330 088 0560

Fax: +44 (0)1245 808399

Email: sales@keison.co.uk

Please note - Product designs and specifications are subject to change without notice. The user is responsible for determining the suitability of this product.