



# Welcome

KANE458

Flue Gas Analyser with  
direct CO<sub>2</sub> measurement  
& CO sensor 'over-range'  
protection

Quick reference guide



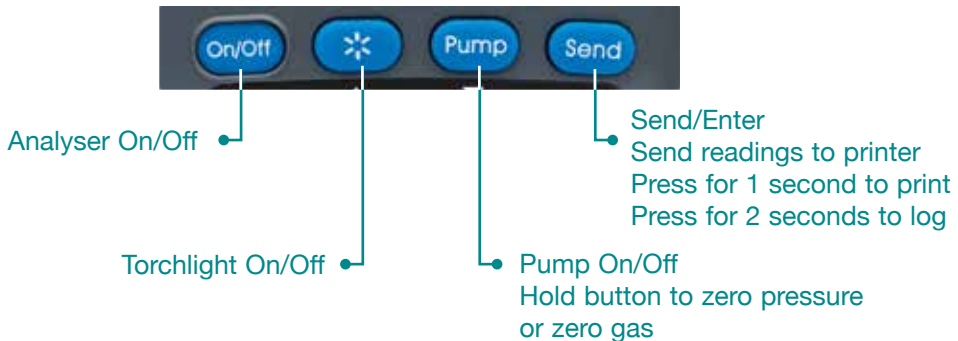
# Hello

## KANE458 getting started

- 1 Know your KANE458
- 2 Connections
- 3 Before use
- 4

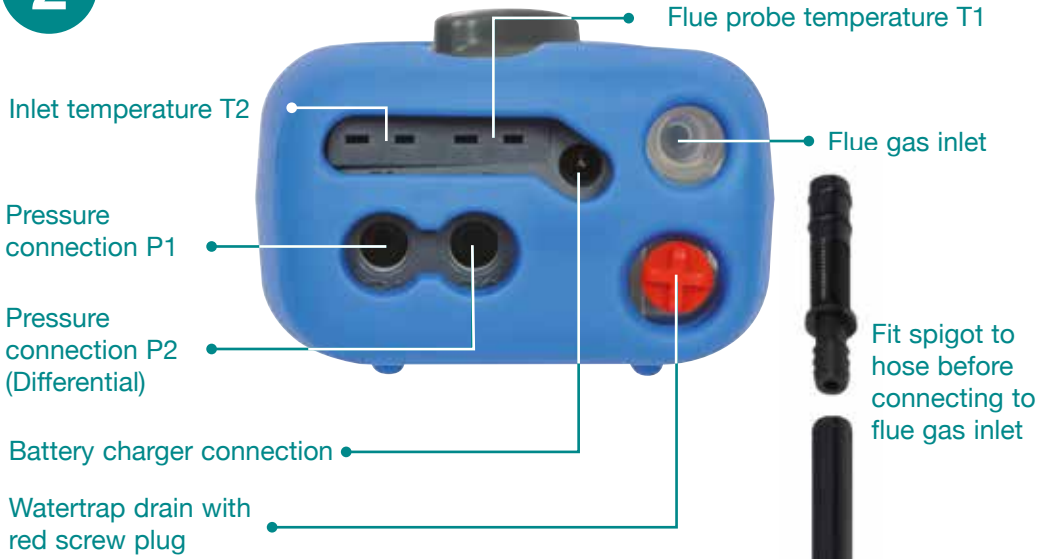
### 1

## Know your KANE458



## 2

### Connections



## 3

### Before use

#### Check

Particle filter is not dirty; Water trap and flue probe are empty of water; Water trap and red screw plug are fitted to analyser; Flue probe hose is connected to flue gas inlet; Flue probe temperature plug is connected to T1 temperature connection

#### Fresh air purge

Position flue probe in fresh air & press "On/Off"  
Analyser auto-calibrates within 90 seconds  
Select "Ratio" on dial. In fresh air CO reading = 0ppm  
Select "O<sub>2</sub>/Eff" on dial. In fresh air O<sub>2</sub> reading = 20.9%  
Select "Status" on dial to view

#### For best pressure sensor accuracy

Switch analyser on for 5 minutes to let temperature stabilise  
Zero pressure sensor when analyser in exact position it will be used

#### To charge NiMH rechargeable batteries

Switch off  
Connect the charger; charging indicator illuminates  
Display shows "BATTERY CHARGING" if batteries need charging



Thank you for reading this data sheet.

For pricing or for further information, please contact us at our UK Office, using the details below.



**UK Office**

**Keison Products,**

**P.O. Box 2124, Chelmsford, Essex, CM1 3UP, England.**

**Tel: +44 (0)330 088 0560**

**Fax: +44 (0)1245 808399**

**Email: [sales@keison.co.uk](mailto:sales@keison.co.uk)**

Please note - Product designs and specifications are subject to change without notice. The user is responsible for determining the suitability of this product.