



Valor™ 1000W

Compact Water-Proof Scales



Rear view of Valor 1000W showing second LED display

Water-proof, sanitary, dual display precision weighing and portioning

OHAUS Valor™ 1000W Series portable scales offer unsurpassed protection and durability for precision weighing, check weighing, portioning and other basic weighing needs. Standard software includes check weighing, accumulation and multiple weighing units. Valor 1000W scales feature a high profile, easy to clean ABS plastic housing with IP65 ingress protection rating, front and rear display LED's. Valor 1000W comes standard with an internal rechargeable battery for ultimate portability and convenience, as well as a removable stainless steel pan cover for easy cleaning.

Standard Features Include:

- Easy to clean ABS IP65 plastic "Water-Proof" housing with stainless steel pan construction
- Easy to see bright red LED display
- Internal rechargeable battery (30 hours of use per charge)
- Integrated level bubble and adjustable feet
- Intelligent sleep mode (auto battery life saving)
- Kilogram or pound weighing units
- Multiple weighing modes including: Weighing, Checkweighing, Accumulation
- Dual display, front and rear LED display
- Standard AC power adapter and internal rechargeable battery pack

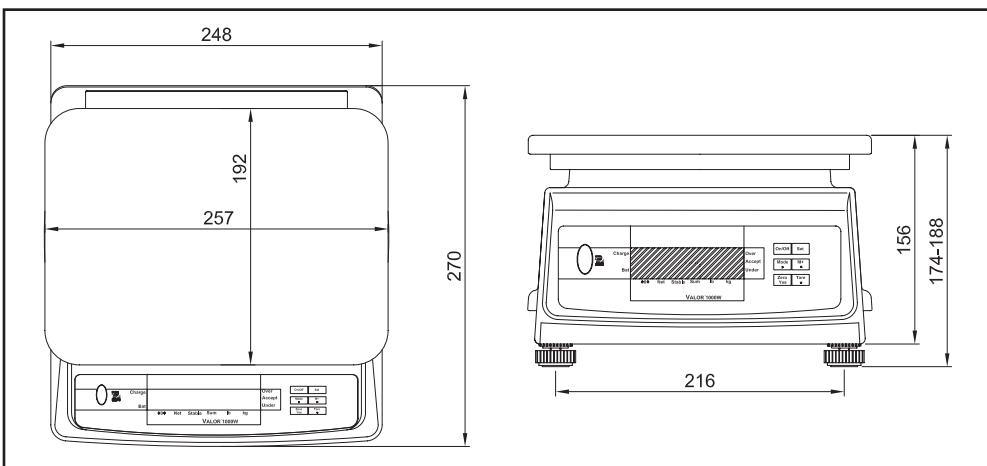
Valor™ 1000W Compact Water-Proof Scales

Specifications

Models	V11PW3	V11PW6	V11PW15	V11PW30
Capacity x Readability	3 x 0.0005 kg	6 x 0.001 kg	15 x 0.002 kg	30 x 0.005 kg
Repeatability (std. dev. ±)	1g	2g	5g	10g
Linearity (±)	1g	2g	5g	10g
Weight units	kg or lb			
Modes	Weigh, Accumulation, Checkweighing			
Tare Range	2/3 or full scale			
Stabilization Time	≤ 2 seconds			
Power Requirements	9VDC 500mA or 12VDC 420mA AC adapter Internal rechargeable sealed lead acid battery			
Battery Life	30-hour typical operation with 12-hour full charge			
Display Type	Front and rear, 6-digit 7-segment, 14.2mm H LED digits			
Pan Size	255W x 190D mm			
Dimensions	250W x 300D x 175H mm			
Operating Temperature Range	-10° to 40°C ≤90% relative humidity, non-condensing			
Net Weight	3.5 kg			
Shipping Weight	4.2 kg			
Ingress Protection	IP65	IP65	IP65	IP65



Outline Dimensions



80774555 © Copyright Ohaus Corporation

* ISO 9001:2008
Registered Quality Management
System





Thank you for reading this data sheet.

For pricing or for further information, please contact us at our UK Office, using the details below.



UK Office

Keison Products,

P.O. Box 2124, Chelmsford, Essex, CM1 3UP, England.

Tel: +44 (0)330 088 0560

Fax: +44 (0)1245 808399

Email: sales@keison.co.uk

Please note - Product designs and specifications are subject to change without notice. The user is responsible for determining the suitability of this product.