

# Product Overview

**Sensepoint XCD**

**Honeywell**

# Sensepoint XCD Overview

- **Flammable, toxic and oxygen gas detectors**
  - 3 wire (sink/source) 4-20mA output + relays
  - Modbus RS-485 / RTU
  - Replaces Sensepoint Pro and other 3 wire 4-20mA
- **Non Intrusive 1 man operation**
  - Magnetic switches
- **Plug in Catalytic, IR and ECC sensors**
- **Common transmitter platform**
  - Simplified and reduced cost of installation
  - Reduced training time and cost
  - Less chance of incorrectly configuring / interpreting readings/messages
  - Reduced maintenance spares stock and cost
- **Tri-colour backlit LCD for status indication**
- **Hazardous area certified**
  - UL, CSA, cUL, Inmetro, and ATEX
  - Flameproof transmitter (LM25 or 316 SS)



# Sensepoint XCD Part Numbering System

Honeywell

## Detector part number:

### 1. Select certification

- ◆ UL/CSA/Inmetro or ATEX/IECEX

### 2. Select enclosure material type

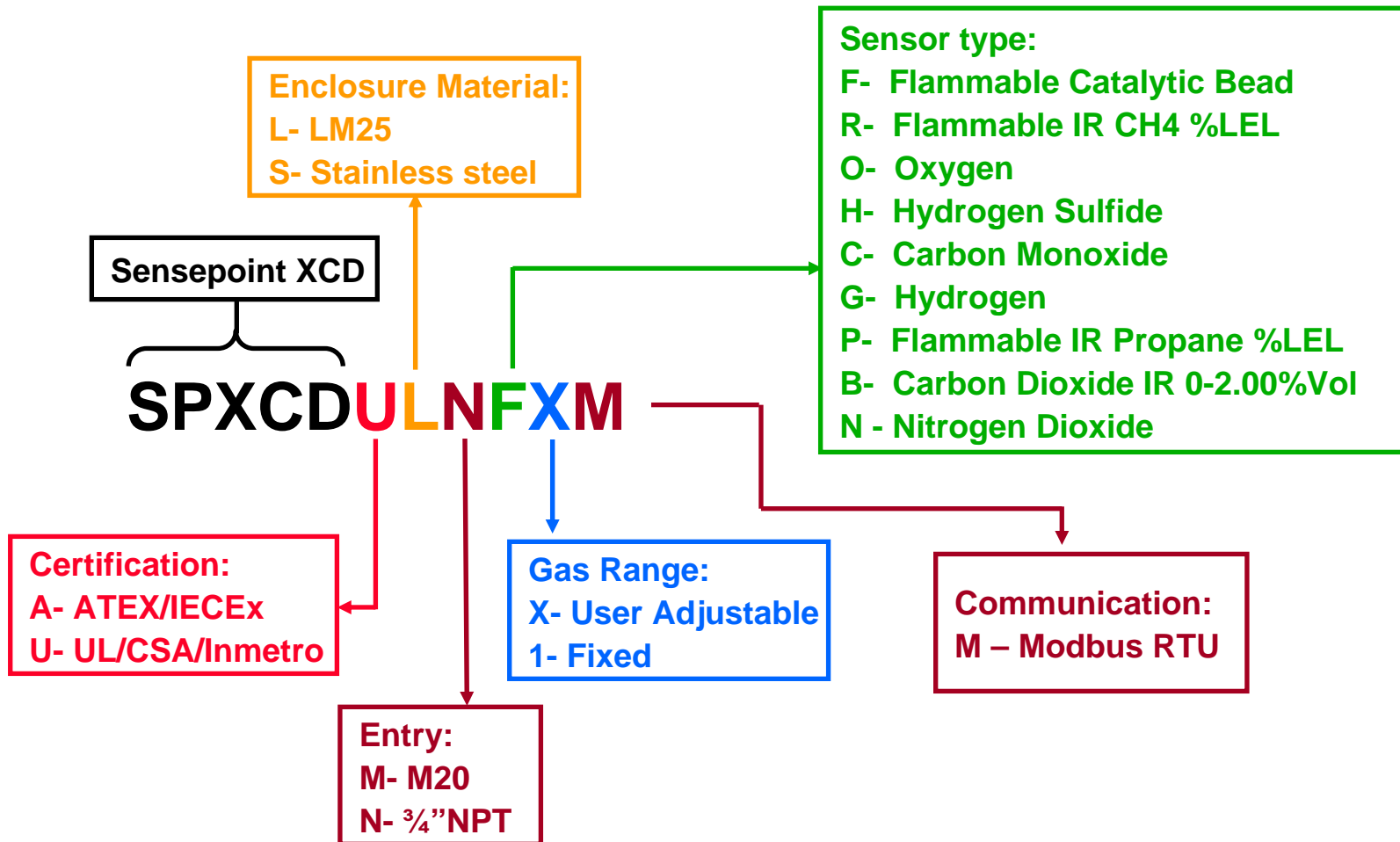
- ◆ Painted aluminium alloy LM25
- ◆ Painted 316 stainless steel

### 3. Select sensor gas type

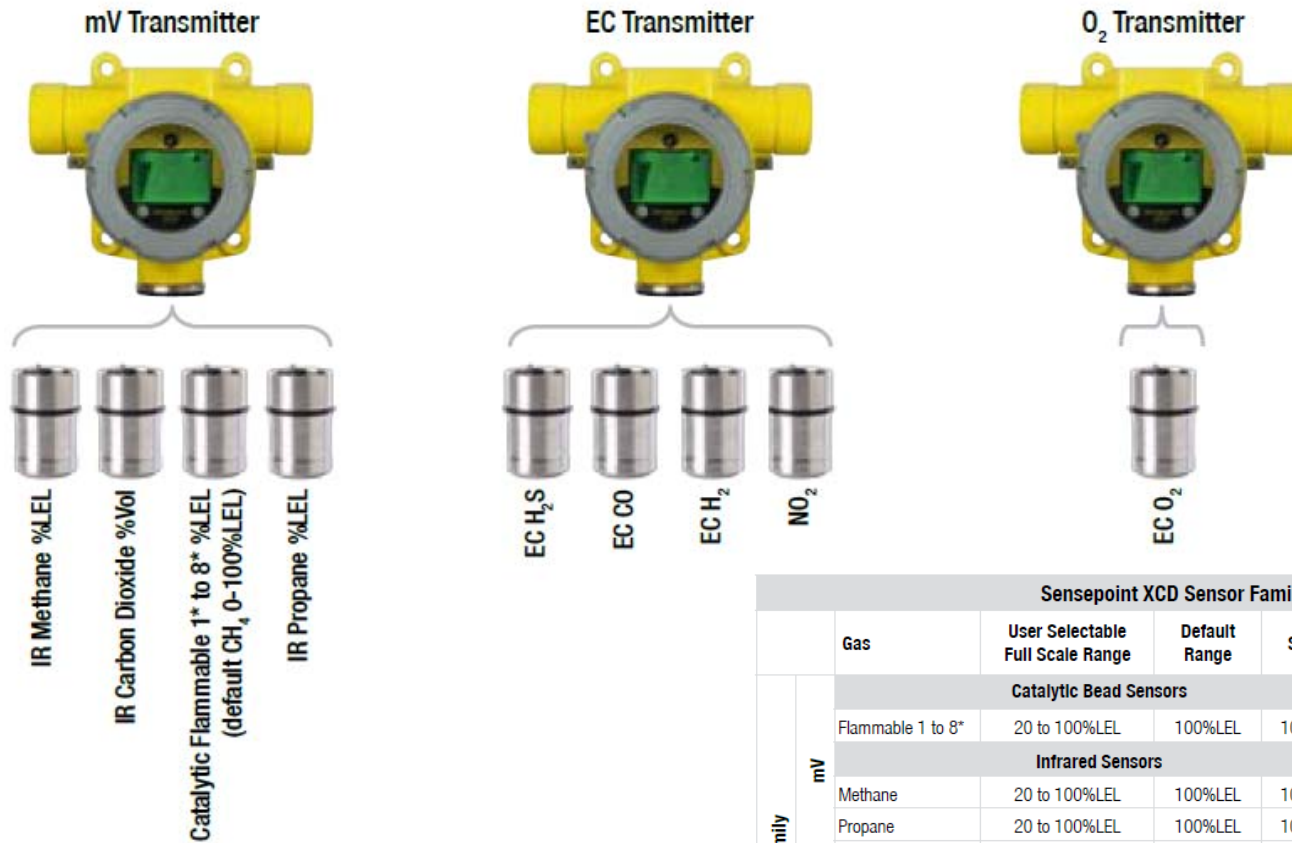
- ◆ Catalytic %LEL CH<sub>4</sub>, 1\* to 8\* %LEL
- ◆ Infrared %LEL CH<sub>4</sub>, %LEL C<sub>3</sub>H<sub>8</sub>,  
CO<sub>2</sub> 0-2.00%Vol
- ◆ Electrochemical cell O<sub>2</sub>, H<sub>2</sub>S, CO, H<sub>2</sub>, NO<sub>2</sub>



# Sensepoint XCD Part Numbering System



# Sensepoint XCD Sensor Families



Sensepoint XCD Sensor Families, Gases and Ranges								
	Gas	User Selectable Full Scale Range	Default Range	Steps	Selectable Cal Gas Range	Default Cal Point		
Sensor Family	<b>Catalytic Bead Sensors</b>							
	mV	Flammable 1 to 8*	20 to 100%LEL	100%LEL	10%LEL	30 to 70% of selected full scale range	50%LEL	
		<b>Infrared Sensors</b>						
		Methane	20 to 100%LEL	100%LEL	10%LEL		50%LEL	
		Propane	20 to 100%LEL	100%LEL	10%LEL		50%LEL	
	Carbon Dioxide	2%Vol.	2%Vol.	0.1%Vol.	1%Vol.			
	<b>Electrochemical Sensors</b>							
	EC	Hydrogen Sulfide	10 to 100ppm	50.0ppm	0.1 ppm		10ppm	
		Carbon Monoxide	100 to 1,000ppm	300ppm	100ppm		100ppm	
		Hydrogen	1,000ppm only	1,000ppm	n/a		500ppm	
		Nitrogen Dioxide	10 to 50ppm	10ppm	5ppm		5ppm.	
	O <sub>2</sub>	Oxygen	25%Vol. only	25%Vol.	n/a	20.9%Vol. (Fixed)	20.9%Vol.	

\*Contact HA for Availability of %Vol. IR

# Modular design



- **Plug-in modules simplify maintenance**
  - Display, terminal, sensor modules easy to fit and replace
  - Minimal number of parts required
  - No need for 'specialist' knowledge for basic maintenance
- **Sensor replacement**
  - External plug in sensor
- **Non-intrusive operation**
  - Removes need for 'hot work' permit
  - Minimizes time for routine maintenance

# Sensepoint XCD Ordering Information

Honeywell

- **Complete product has two parts:**
  - Pre configured sensor
  - Transmitter includes
    - ◆ Integral mounting lugs
    - ◆ Magnetic tool
    - ◆ Sensor weather protection
    - ◆ Manuals (on CD ROM)
- **Optional accessories to suit application**
  - Gassing Cap
  - Collecting cone
  - Remote sensor mounting kit
  - Duct mounting kit
  - Pipe mounting bracket
  - Sunshade/deluge cover



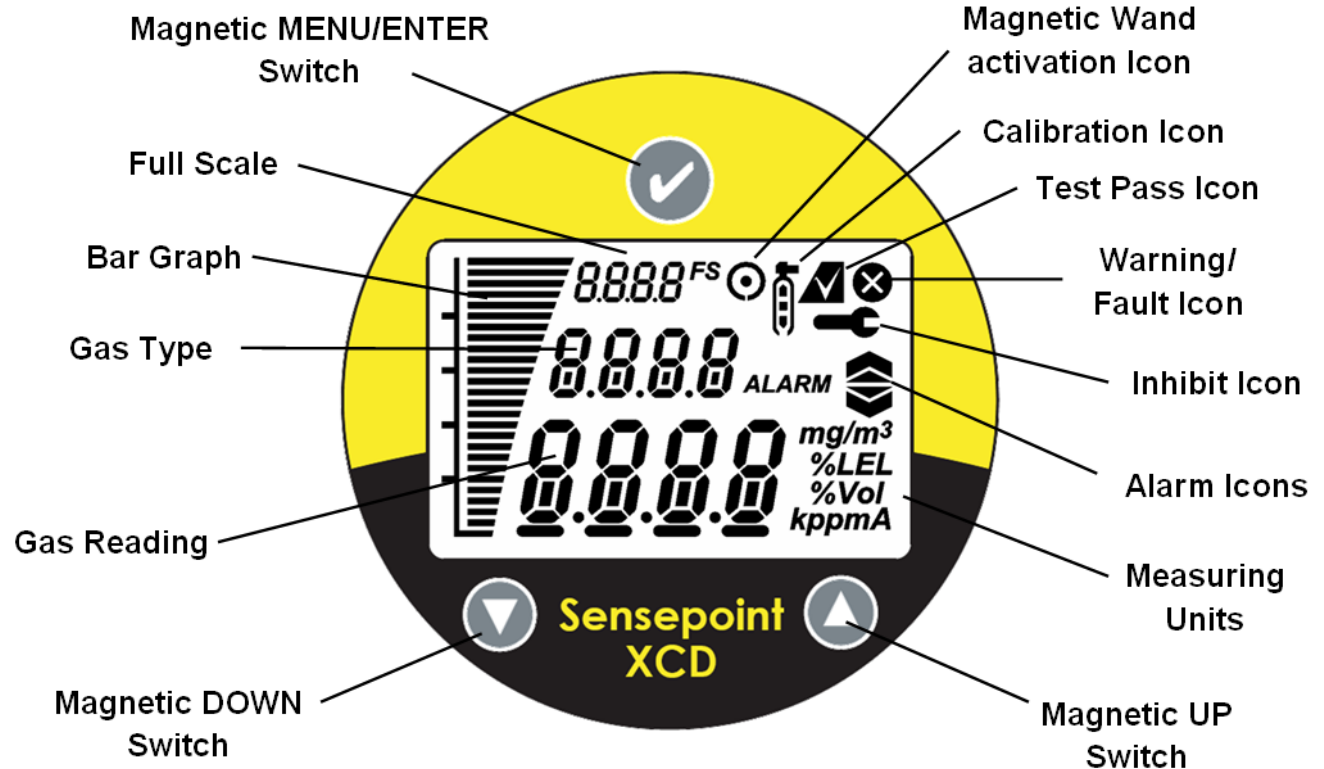
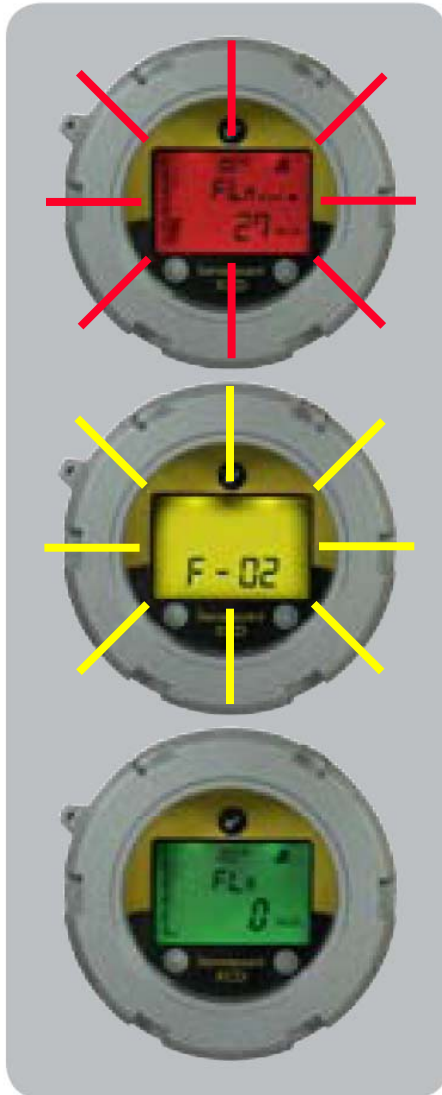
# Reflex™ Detection Cell Diagnostics

- Reflex™ is a Honeywell Analytics patented fault diagnostic routine for electrochemical cells
- Reflex™ increases operator confidence of detector operability and availability
- Reflex™ is initiated automatically by the transmitter
  - On transmitter power up
  - During sensor exchange
  - At 8 hourly intervals during operation
- Reflex™ checks for:
  - Cell presence
  - Cell dry out
  - Cell open circuit and cell short circuit
  - (Note: Not relevant for O<sub>2</sub> detection. Does not remove the need for regular response gas checks or calibration).



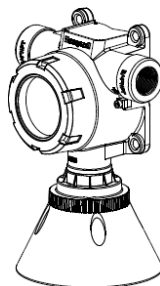
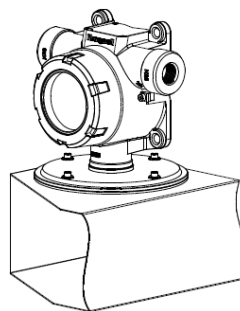
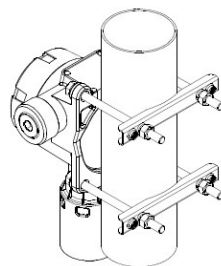
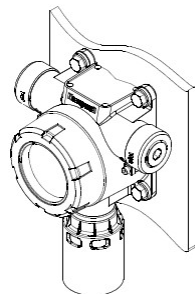
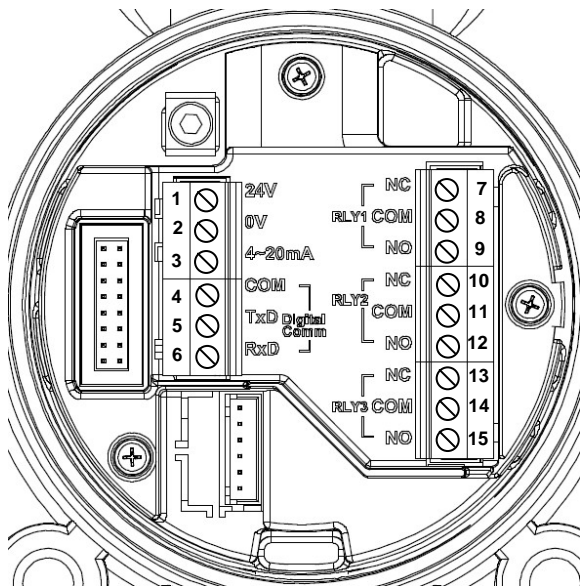


# Simple non intrusive operation

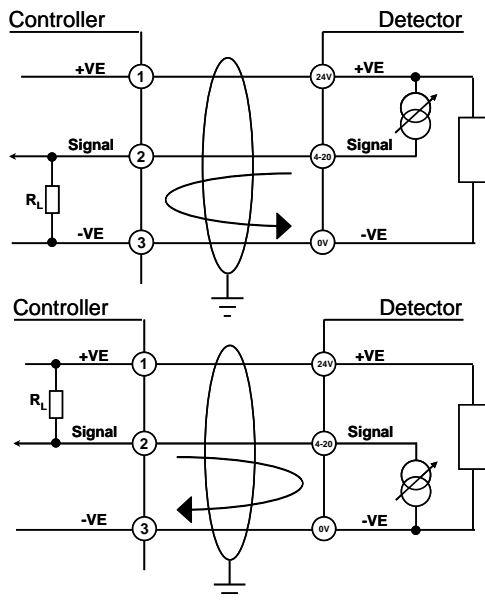


- Tricolour backlit LCD
- Instantly recognisable 'Traffic Light' colours
- Clear indication of unit status- even from a distance
- Simple Magnetic switch operation

# Simple installation



- **Removable display module**
  - Enables unhindered access to terminals
- **Wall or pipe mount**
  - Optional pipe mount bracket included with every unit
- **Collecting cone**
  - Replaces weatherproof cover
  - Includes inlet for remote gassing
- **Duct mount arrangement**
  - Clamping ring for duct
  - Removable plate attaches to ring
  - Detector attaches to the plate
  - External inlet for remote gassing
- **Sink or source wiring**
  - Switch selectable
  - Flexible to preferred topology



# Sensepoint XCD Summary

- **Reduced installation costs**
  - **Common design for all detectors**
    - ◆ Same tools/installation methods reduces install costs
- **Reduced operation costs**
  - **Same user interface for all detectors**
    - ◆ Less chance of incorrectly configuring/interpreting readings/messages increases detector up time
    - ◆ Reduced training time reduces training costs
- **Reduced maintenance costs**
  - **Replaceable plug in sensors**
    - ◆ Less time and cost to maintain detectors
  - **Many common spare parts**
    - ◆ Reduced maintenance/spares stock level and cost
- **Increased safety**
  - **Unique tri-colour LCD provides**
    - ◆ Unambiguous status at a glance improves safety
    - ◆ Easy to see which detectors are operating normally, need service attention or in alarm
    - ◆ Intuitive traffic light colours provide clear message even to 'un-trained' personnel
    - ◆ Clearly visible, even from a distance warns personnel from entering unsafe area
    - ◆ Easier to locate units detectors that are often dotted around a facility increases safety and reduces maintenance time/costs
    - ◆ Simple and effective.





Thank you for reading this data sheet.

For pricing or for further information, please contact us at our UK Office, using the details below.



**UK Office**

**Keison Products,**

**P.O. Box 2124, Chelmsford, Essex, CM1 3UP, England.**

**Tel: +44 (0)330 088 0560**

**Fax: +44 (0)1245 808399**

**Email: [sales@keison.co.uk](mailto:sales@keison.co.uk)**

Please note - Product designs and specifications are subject to change without notice. The user is responsible for determining the suitability of this product.