

FIBERTRAC 31

Radiation-based sensor for continuous level and interface measurement

Application area

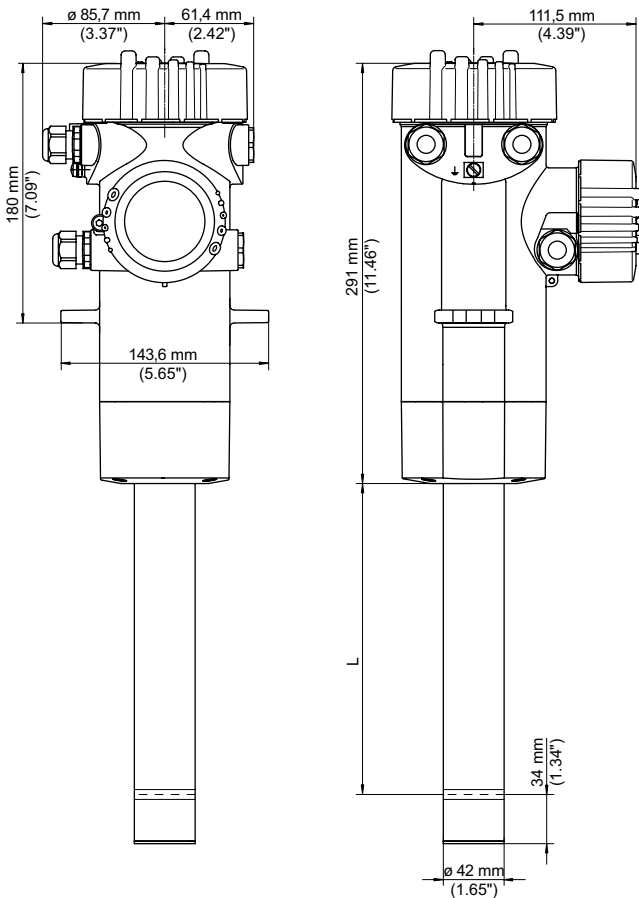
The FIBERTRAC 31 is a radiation-based sensor for continuous measurement of liquids and bulk solids. It is suitable for level and interface measurement under extreme process conditions, in aggressive products or critical product features. The FIBERTRAC 31 delivers precise measuring results even under hardest application conditions.

Your benefit

- High plant availability through non-contact measurement
- Simple mounting on round and conical vessels through flexible detector
- Cost saving through use of only one sensor up to 7 m measuring range

Technical data

Version:	sensor with flexible plastic detector \varnothing 42 mm
Measuring range:	up to 7 m
Mounting:	from outside on the vessel
Reproducibility:	+/- 0.5 %
SIL qualification:	optionally up to SIL2



L Measuring length

You will find further process fittings and options under www.vega.com/configurator.

You will find further drawings and tables under www.vega.com/downloads.

You will find mounting accessory, welded sockets and housing overviews in chapter "Accessory".

Approval

- XX Without
- DK ATEX II2(1)G Ex d[ia] IIC T6+II 1D Ex ta[ia] IIIC T.
- TX ATEX IM 2 (M1) Ex d [ia Ma] I Mb
- DK IEC Ex d[ia]IIC T6+Ex ta, tb [ia] IIC T..
- TX IEC Ex d [ia Ma]I Mb

Version / Ambient temperature

- 1 Standard / -20°...+50°C

Electronics

- V Four-wire 4...20mA/HART®
- S Four-wire 4...20mA/HART® with SIL qualification
- A Four-wire 4...20 mA/HART® (Ex d output)
- I Four-wire 4...20 mA/HART® (Ex d output) with SIL qual.
- L Four-wire 4...20 mA/HART® (Ex ia output) with SIL qual.
- F Four-wire Foundation Fieldbus
- C Four-wire Foundation Fieldbus (Ex d output)
- P Four-wire Profibus PA
- E Four-wire Profibus PA (Ex d output)

Housing / Protection

- D Aluminium / IP66/IP67
- W Stainless steel 316L / IP66/IP67

Cable entry / Cable gland / Plug connection

- M M20x1.5 / with / without
- N ½ NPT / without / without

Display/Adjustment module (PLICSCOM)

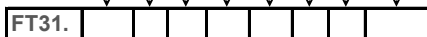
- X Without
- B Mounted

Additional equipment

- X Without

Active length

- A10 1000 mm
- A15 1500 mm
- A20 2000 mm
- A25 2500 mm
- A30 3000 mm
- A35 3500 mm
- A40 4000 mm
- A45 4500 mm
- A50 5000 mm
- A55 5500 mm
- A60 6000 mm
- A65 6500 mm
- A70 7000 mm





Thank you for reading this data sheet.

For pricing or for further information, please contact us at our UK Office, using the details below.



UK Office

Keison Products,

P.O. Box 2124, Chelmsford, Essex, CM1 3UP, England.

Tel: +44 (0)330 088 0560

Fax: +44 (0)1245 808399

Email: sales@keison.co.uk

Please note - Product designs and specifications are subject to change without notice. The user is responsible for determining the suitability of this product.