

MINITRAC 31

Radiation-based sensor for density measurement

Application area

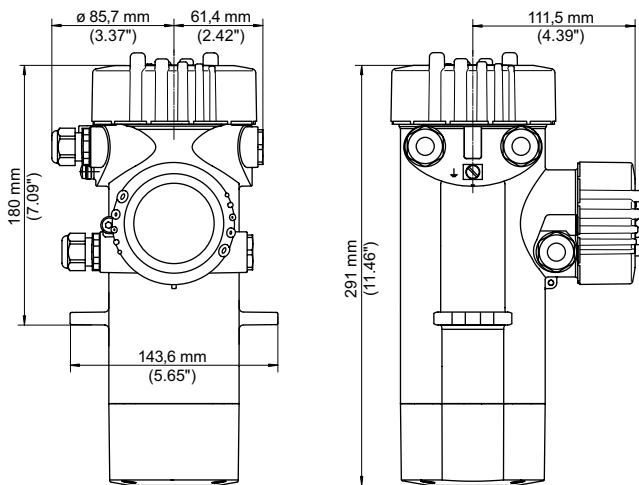
The MINITRAC 31 is a radiation-based sensor for non-contact density measurement of liquids and bulk solids. The MINITRAC 31 determines the density contactlessly from outside through pipelines or the vessel wall. Through its compact design it is ideal for mounting in positions hardly to access and in narrow space applications.

Your benefit

- Simple retrofitting during production processes
- High plant availability through non-contact measurement
- Exact measuring results independent of the process conditions

Technical data

Version:	sensor with integrated NaI detector
Mounting:	from outside on pipelines or the vessel
Reproducibility:	+/- 0.1 %
SIL qualification:	optionally up to SIL2



You will find further process fittings and options under www.vega.com/configurator.

You will find further drawings and tables under www.vega.com/downloads.

You will find mounting accessory, welded sockets and housing overviews in chapter "Accessory".

Approval

- XX** Without
- DK** ATEX II2(1)G Ex d[ia] IIC T6+II 1D Ex ta[ia] IIIC T.
- TX** ATEX IM 2 (M1) Ex d [ia Ma] I Mb
- DK** IEC Ex d[ia]IIC T6+Ex ta, tb [ia] IIC T.
- TX** IEC Ex d [ia Ma] I Mb

Version / Ambient temperature

- 1** Standard / -40°...+60°C

Electronics

- V** Four-wire 4...20mA/HART®
- S** Four-wire 4...20mA/HART® with SIL qualification
- A** Four-wire 4...20 mA/HART® (Ex d output)
- I** Four-wire 4...20 mA/HART® (Ex d output) with SIL qual.
- L** Four-wire 4...20 mA/HART® (Ex ia output) with SIL qual.
- F** Four-wire Foundation Fieldbus
- C** Four-wire Foundation Fieldbus (Ex d output)
- P** Four-wire Profibus PA
- E** Four-wire Profibus PA (Ex d output)

Housing / Protection

- D** Aluminium / IP66/IP67
- W** Stainless steel 316L / IP66/IP67

Cable entry / Cable gland / Plug connection

- M** M20x1.5 / with / without
- N** ½ NPT / without / without

Display/Adjustment module (PLICSCOM)

- X** Without
- B** Mounted

Additional equipment

- X** Without
- S** Int. lead coating to protect against ambient radiation

MT31.

--	--	--	--	--	--	--	--



Thank you for reading this data sheet.

For pricing or for further information, please contact us at our UK Office, using the details below.



UK Office

Keison Products,

P.O. Box 2124, Chelmsford, Essex, CM1 3UP, England.

Tel: +44 (0)330 088 0560

Fax: +44 (0)1245 808399

Email: sales@keison.co.uk

Please note - Product designs and specifications are subject to change without notice. The user is responsible for determining the suitability of this product.