

POINTRAC 31

Radiation-based sensor for level detection

Application area

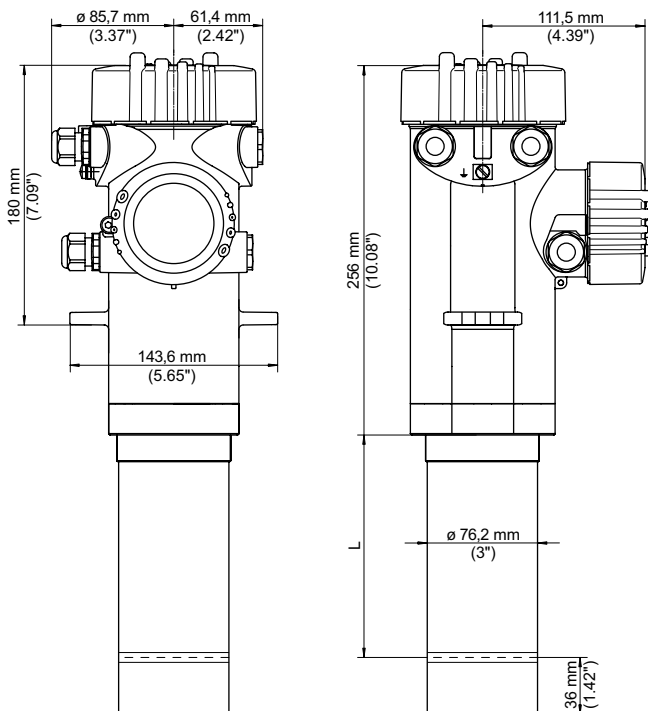
The POINTRAC 31 is a radiation-based sensor for universal level detection of liquids and bulk solids. Independent of the mounting location, it monitors reliably the limit level in vessels. The sensor can be used for applications in all industries. Due to the high sensitivity POINTRAC 31 is an economical solution with minimum radiation activity.

Your benefit

- Exact measuring results independent of process conditions
- High process reliability through determination of buildup
- Economical level detection under arduous application conditions

Technical data

Version:	sensor with PVT rod detector
Measuring range:	up to 305 mm
Mounting:	from outside on the pipeline or vessel
SIL qualification:	optionally up to SIL2



You will find further process fittings and options under www.vega.com/configurator.
 You will find further drawings and tables under www.vega.com/downloads.
 You will find mounting accessory, welded sockets and housing overviews in chapter "Accessory".

Approval

- XX** Without
- DK** ATEX II2(1)G Ex d[ia] IIC T6+II 1D Ex ta[ia] IIIC T.
- TX** ATEX IM 2 (M1) Ex d [ia Ma] I Mb
- DK** IEC Ex d[ia]IIC T6+Ex ta, tb [ia] IIC T.
- TX** IEC Ex d [ia Ma]I Mb

Version / Ambient temperature

- 1** Standard / -40°...+60°C

Electronics

- V** Four-wire 8/16 mA/HART®
- S** Four-wire 8/16 mA/HART® with SIL qualification
- A** Four-wire 8/16 mA/HART® (Ex d output)
- I** Four-wire 8/16 mA/HART® (Ex d output) w. SIL qualif.
- L** Four-wire 8/16 mA/HART® (Ex ia output) w. SIL qualif.
- F** Four-wire Foundation Fieldbus
- C** Four-wire Foundation Fieldbus (Ex d output)
- P** Four-wire Profibus PA
- E** Four-wire Profibus PA (Ex d output)

Housing / Protection

- D** Aluminium / IP66/IP67
- W** Stainless steel 316L / IP66/IP67

Cable entry / Cable gland / Plug connection

- M** M20x1.5 / with / without
- N** ½ NPT / without / without

Display/Adjustment module (PLICSCOM)

- X** Without
- B** Mounted

Additional equipment

- X** Without

Length

- 006** 152 mm
- 012** 305 mm





Thank you for reading this data sheet.

For pricing or for further information, please contact us at our UK Office, using the details below.



UK Office

Keison Products,

P.O. Box 2124, Chelmsford, Essex, CM1 3UP, England.

Tel: +44 (0)330 088 0560

Fax: +44 (0)1245 808399

Email: sales@keison.co.uk

Please note - Product designs and specifications are subject to change without notice. The user is responsible for determining the suitability of this product.