

SOLITRAC 31

Radiation-based sensor for continuous level and interface measurement

Application area

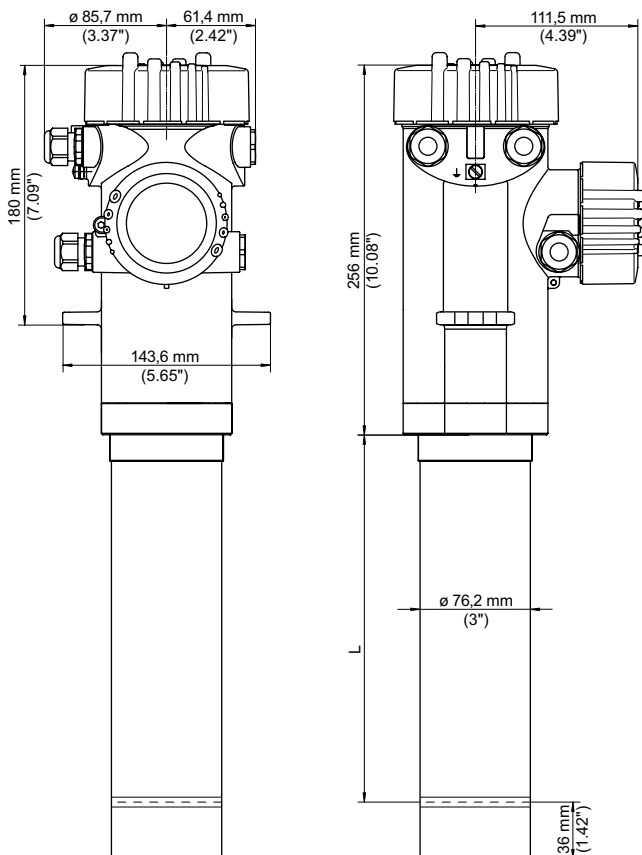
The SOLITRAC 31 is a radiation-based sensor with PVT rod detector for continuous measurement of liquids and bulk solids. It is suitable for level and interface measurement under extreme process conditions, with critical product features or in aggressive products. The SOLITRAC 31 is ideal for use in cylindrical vessels, reactors, autoclaves, separators and mixing vessels.

Your benefit

- High plant availability through non-contact measurement
- Best measurement performance through PVT detector with maximum sensitivity
- Simple mounting through supplied accessory

Technical data

| | |
|--------------------|------------------------------|
| Version: | sensor with PVT rod detector |
| Measuring range: | up to 3 m |
| Mounting: | from outside on the vessel |
| Reproducibility: | +/- 0.5 % |
| SIL qualification: | optionally up to SIL2 |



L Measuring length

You will find further process fittings and options under www.vega.com/configurator.
 You will find further drawings and tables under www.vega.com/downloads.
 You will find mounting accessory, welded sockets and housing overviews in chapter "Accessory".

Approval

- XX** Without
- DK** ATEX II(1)G Ex d[ia] IIC T6+II 1D Ex ta[ia] IIIC T.
- TX** ATEX IM 2 (M1) Ex d [ia Ma] I Mb
- DK** IEC Ex d[ia]IIC T6+Ex ta, tb [ia] IIC T.
- TX** IEC Ex d [ia Ma]I Mb

Version / Ambient temperature

- 1** Standard / -40°...+60°C

Electronics

- V** Four-wire 4...20mA/HART®
- S** Four-wire 4...20mA/HART® with SIL qualification
- A** Four-wire 4...20 mA/HART® (Ex d output)
- I** Four-wire 4...20 mA/HART® (Ex d output) with SIL qual.
- L** Four-wire 4...20 mA/HART® (Ex ia output) with SIL qual.
- F** Four-wire Foundation Fieldbus
- C** Four-wire Foundation Fieldbus (Ex d output)
- P** Four-wire Profibus PA
- E** Four-wire Profibus PA (Ex d output)

Housing / Protection

- D** Aluminium / IP66/IP67
- W** Stainless steel 316L / IP66/IP67

Cable entry / Cable gland / Plug connection

- M** M20x1.5 / with / without
- N** ½ NPT / without / without

Display/Adjustment module (PLICSCOM)

- X** Without
- B** Mounted

Additional equipment

- X** Without

Length

- A05** 500 mm
- A10** 1000 mm
- A15** 1500 mm
- A20** 2000 mm
- A25** 2500 mm
- A30** 3000 mm

| | | | | | | | | | | |
|-------|--|--|--|--|--|--|--|--|--|--|
| ST31. | | | | | | | | | | |
|-------|--|--|--|--|--|--|--|--|--|--|



Thank you for reading this data sheet.

For pricing or for further information, please contact us at our UK Office, using the details below.



UK Office

Keison Products,

P.O. Box 2124, Chelmsford, Essex, CM1 3UP, England.

Tel: +44 (0)330 088 0560

Fax: +44 (0)1245 808399

Email: sales@keison.co.uk

Please note - Product designs and specifications are subject to change without notice. The user is responsible for determining the suitability of this product.