



VEGABAR 14



Process pressure transmitter with CERTEC®

Application area

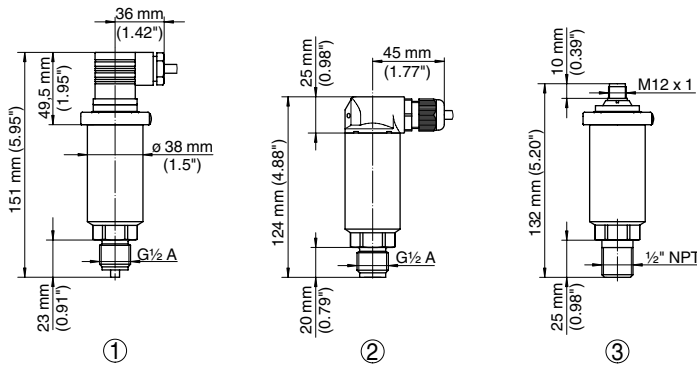
The VEGABAR 14 is a pressure transmitter for measurement of gauge pressure, absolute pressure or vacuum. Products to be measured are gases, vapours and liquids.

Advantages

- Two-wire system 4 ... 20 mA
- Deviation < 0.3 %
- Small, compact dimensions
- Highly overload resistant ceramic measuring cell
- Process fittings of stainless steel or PVDF

Function

Sensor element is the CERTEC® measuring cell with rugged ceramic diaphragm. The process pressure causes a capacitance change in the measuring cell via the ceramic diaphragm. This change is converted into an appropriate output signal and outputted as measured value.



- 1 Threaded version G $\frac{1}{2}$ A, manometer connection EN 837 with plug connection ISO 4400
- 2 Threaded version G $\frac{1}{2}$ A, inner G $\frac{1}{4}$ A with direct cable outlet
- 3 Threaded version $\frac{1}{2}$ NPT, inner $\frac{1}{4}$ NPT with plug connection M12 x 1



Approval

- .X without
- .M Ship approval

Pressure / Measuring range

- 1S rel. / 0...0.1 bar (0...10 kPa)
- 1T rel. / 0...0.25 bar (0...25 kPa)
- 1U rel. / 0...0.4 bar (0...40 kPa)
- 1V rel. / 0...0.6 bar (0...60 kPa)
- 1A rel. / 0...1 bar (0...100 kPa)
- 1B rel. / 0...1.6 bar (0...160 kPa)
- 1C rel. / 0...2.5 bar (0...250 kPa)
- 1D rel. / 0...4 bar (0...400 kPa)
- 1E rel. / 0...6 bar (0...600 kPa)
- 1F rel. / 0...10 bar (0...1000 kPa)
- 1G rel. / 0...16 bar (0...1600 kPa)
- 1H rel. / 0...25 bar (0...2500 kPa)
- 1I rel. / 0...40 bar (0...4000 kPa)
- 1J rel. / 0...60 bar (0...6000 kPa)
- 3T rel. / -0.1...+0.1 bar (-10...+10 kPa)
- 3U rel. / -0.2...+0.2 bar (-20...+20 kPa)
- 3A rel. / -0.5...+0.5 bar (-50...+50 kPa)
- 3B rel. / -1...+0.6 bar (-100...+60 kPa)
- 3W rel. / -1...+1 bar (-100...+100 kPa)
- 3C rel. / -1...+1.5 bar (-100...+150 kPa)
- 3D rel. / -1...+3 bar (-100...+300 kPa)
- 3E rel. / -1...+5 bar (-100...+500 kPa)
- 3F rel. / -1...+9 bar (-100...+900 kPa)
- 3G rel. / -1...+15 bar (-100...+1500 kPa)
- 2A abs. / 0...1 bar (0...100kPa)
- 2B abs. / 0...1.6 bar (0...160kPa)
- 2C abs. / 0...2.5 bar (0...250kPa)
- 2D abs. / 0...4 bar (0...400kPa)
- 2E abs. / 0...6 bar (0...600kPa)
- 2F abs. / 0...10 bar (0...1000kPa)
- 2G abs. / 0...16 bar (0...1600kPa)

Electrical connection / Protection

- A1 4-pole plug connection ISO4400 PG9 / IP65
- A2 4-pole plug connection hinged cover / IP 65
- C1 Direct cable outlet with 5 m cable / IP67
- M1 Circular plug conn.,4-pole w.screwed plug M12x1 / IP65

Process fitting / Material

- GV G $\frac{1}{2}$ A, manometer connec. EN837 PN60 / 316L
- GP G $\frac{1}{2}$ A, inner G $\frac{1}{4}$ A PN60 / 316L
- GS G $\frac{1}{2}$ A, inner G $\frac{1}{4}$ A, PN10 / PVDF, with double seal
- GN $\frac{1}{2}$ NPT inner $\frac{1}{4}$ NPT PN60 / 316L
- GB M20x1.5 manometer connection EN837 PN60 / 316L
- GG Thread G1 $\frac{1}{2}$ A PN60 / 316L

Seal measuring cell / Process temperature

- 1 FKM (VP2/A) / -20...100°C
- 3 EPDM (A+P 75.5/KW75F) / -40...100°C

BAR14

--	--	--	--	--	--





Thank you for reading this data sheet.

For pricing or for further information, please contact us at our UK Office, using the details below.



UK Office

Keison Products,

P.O. Box 2124, Chelmsford, Essex, CM1 3UP, England.

Tel: +44 (0)330 088 0560

Fax: +44 (0)1245 808399

Email: sales@keison.co.uk

Please note - Product designs and specifications are subject to change without notice. The user is responsible for determining the suitability of this product.