



VEGABAR 51

Pressure transmitter with chemical seal

Application area

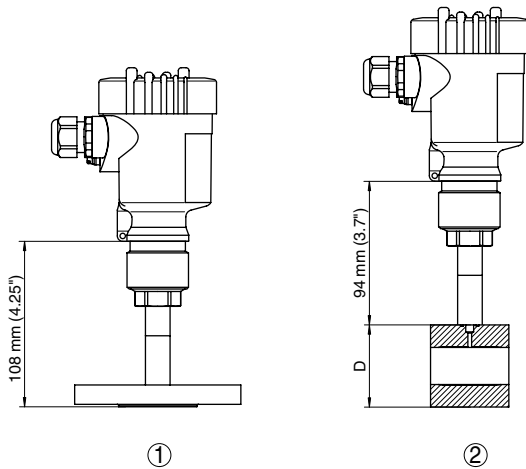
VEGABAR 51 is a pressure transmitter with chemical seal for pressure and level measurement in highly corrosive and hot liquids.

Advantages

Unaffected by foam generation and tank installations
High chemical resistance due to suitable diaphragm materials
Large variety of process fittings
Product temperature up to 400 °C

Function

The existing pressure acts on the sensor element via the process diaphragm and the isolating liquid. This signal is detected electronically and converted into a respective output signal.



- 1 Flange version 150 °C
- 2 Version with tube isolating diaphragm 150 °C



Approval

- XX** without
- XM** Ship approval
- CX** ATEX II 1G, 1/2G, 2G Ex ia IIC T6
- CM** ATEX II 1G, 1/2G, 2G Ex ia IIC T6 + Ship approval
- CI** Zone 0, 0/1, 1 Ex ia IIC T6
- DX** ATEX II 1/2G, 2G Ex d ia IIC T6

Process fitting / Material

- FR** Flange DN25PN40 Form D, DIN2501 / 316L
- FC** Flange DN50PN40 Form D, DIN2501 / 316L
- FH** Flange DN80PN40 Form D, DIN2501 / 316L
- F1** Flange 1" 150lb RF, ANSI B16.5 / 316L
- F5** Flange 2" 150lb RF, ANSI B16.5 / 316L
- FS** Flange 3" 150lb RF, ANSI B16.5 / 316L
- ZC** Cell DN50PN16/100 / 316L

Isolating liquid / Temperature

- A** Silicone oil KN2.2 / -40...150°C (Pabs <1bar-40...150°C)
- C** Silic.oil KN2.2+cool./ -40...200°C(Pabs <1bar-40...150°C)
- G** HT oil KN3.2+cool. / -10...300°C(Pabs<1bar-10...200°C)
- I** Halocarbon oil KN21/ -40...150°C (Pabs<1bar -40...80°C)
- M** Med.white oil KN92 / -10...150°C(Pabs <1bar -10...160°C)

Material diaphragm

- 1** 316L
- 2** Hastelloy C276
- 5** Tantalum
- 7** PTFE

Pressure / Measuring range

- C** rel. / 0...0.4 bar (0...40 kPa)
- D** rel. / 0...1 bar (0...100 kPa)
- E** rel. / 0...2.5 bar (0...250 kPa)
- W** rel. / 0...100 bar (0...10000 kPa)
- J** rel. / 0...250 bar (0...25000 kPa)
- F** rel. / 0...5 bar (0...500 kPa)
- N** rel. / 0...60 bar (0...6000 kPa)
- P** rel. / -1...0 bar (-100...0 kPa)
- Q** rel. / -1...1.5 bar (-100...150 kPa)
- R** rel. / -1...5 bar (-100...500 kPa)
- S** rel. / -1...10 bar (-100...1000 kPa)
- H** rel. / -1...25 bar (-100...2500 kPa)
- V** rel. / -1...60 bar (-100...6000 kPa)
- 1** abs. / 0...1 bar (0...100 kPa)
- 2** abs. / 0...2.5 bar (0...250 kPa)
- 3** abs. / 0...5 bar (0...500 kPa)

Electronics

- Z** 4...20mA
- H** 4...20mA/HART®
- P** Profibus PA
- F** Foundation Fieldbus

Housing / Protection

- K** Plastic / IP66/IP67
- A** Aluminium / IP66/IP67
- D** Aluminium double chamber / IP66/IP67
- 8** Stainless steel (electropolished) 316L / IP66/IP67
- P** PUR cable axial IP68, ext. housing plastic IP65
- R** Plastic 2-chamber / IP66/IP67

Cable entry / Cable gland / Plug connection

- M** M20x1.5 / with / without
- N** ½NPT / without / without

Indicating/adjustment module (PLICSCOM)

- X** Without
- A** mounted

Vacuum service

- X** without
- J** with (recommended for meas. ranges <0.5bar abs)

BR51.

Cable length in m
per 100 mm cable of PUR



Thank you for reading this data sheet.

For pricing or for further information, please contact us at our UK Office, using the details below.



UK Office

Keison Products,

P.O. Box 2124, Chelmsford, Essex, CM1 3UP, England.

Tel: +44 (0)330 088 0560

Fax: +44 (0)1245 808399

Email: sales@keison.co.uk

Please note - Product designs and specifications are subject to change without notice. The user is responsible for determining the suitability of this product.