



VEGABAR 53



Pressure transmitter with metallic measuring cell

Application area

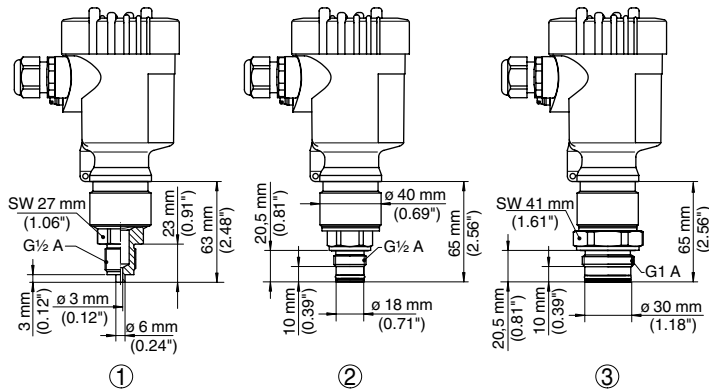
The VEGABAR 53 is a pressure transmitter for measurement of gauge pressure, absolute pressure or vacuum. Measured products are gases, vapours and liquids.

Advantages

- Fully welded, metallic measuring cell
- High measuring accuracy
- Overload and vacuum resistant

Function

The process pressure causes a resistance change in the sensor element via the stainless steel diaphragm. This change is converted into an appropriate output signal and outputted as measured value. For measuring ranges up to 16 bar, a piezoresistive sensor element with internal transmission liquid is used. With higher measuring ranges, a strain gauge sensor element is used on the rear of the stainless steel diaphragm.



- 1 Threaded version G $\frac{1}{2}$ A, manometer connection EN 837
- 2 Threaded version G $\frac{1}{2}$ A, front-flush
- 3 Threaded version G1 A, front-flush



Approval

- XX without
- XM Ship approval
- CX ATEX II 1G, 1/2G, 2G Ex ia IIC T6
- CA ATEX II 1G, 1/2G, 2G Ex ia IIC T6 + WHG
- CM ATEX II 1G, 1/2G, 2G Ex ia IIC T6 + Ship approval
- CI Zone 0, 0/1, 1 Ex ia IIC T6
- DX ATEX II 1/2G, 2G Ex d ia IIC T6
- GX ATEX II 1/2D, 2D Ex tD IP66 T..

Process fitting / Material

- GV Thread G $\frac{1}{2}$ A (EN837) manometer connection PN160 / 316L
- GF Thread G $\frac{1}{2}$ A (ISO228-1) front-fl.+O-ring/316Ti from 2.5bar
- GC Thread G1A (ISO228-1) abs. front-flush PN60 / 316
- GN Thread $\frac{1}{2}$ NPT/316Ti
- GB Thread $\frac{1}{2}$ NPT inner thread (ASME B1.20.1) PN60 / 316L
- CC Tri-Clamp 1 $\frac{1}{2}$ " PN16 / 316L
- CA Tri-Clamp 2" PN16 / 316L
- LA Hyg.connection w. compression nut F40 PN40 / 316L
- RC Bolting DN40PN40 DIN11864 / 316L
- RD Bolting DN50PN25 Form A DIN11864 / 316L
- AA DRD PN40 / 316L
- EA Flange DN40PN40 Form C, DIN2501 / 316L
- FB Flange DN50PN40 Form C, DIN2501 / 316L
- FM Flange DN80PN64 Form C, DIN2501/316L

Seal measuring cell / Process temperature

- 1 FKM (VP2/A) / -20...+105°C
- 3 EPDM (A+P 75.5/KW75F) / -30...+105°C
- X without / -30...105°C

Pressure / Measuring range

- C rel. / 0...0.4bar (0...40kPa)
- D rel. / 0...1.6bar (0...160kPa)
- E rel. / 0...6.0bar (0...600kPa)
- I rel. / 0...16.0bar (0...1600kPa)
- U rel. / 0...40.0bar (0...4000kPa)
- W rel. / 0...100.0bar (0...10000kPa)
- X rel. / 0...250.0bar (0...25000kPa)
- O rel. / -1...3.0bar (-100...300kPa)
- P rel. / -1...5.0bar (-100...500kPa)
- Q rel. / -1...15.0bar (-100...1500kPa)
- Z rel. / 0...600.0bar (0...60000kPa)
- 1 abs. / 0...0.4bar (0...40kPa)
- 2 abs. / 0...1.6bar (0...160kPa)
- 3 abs. / 0...6.0bar (0...600kPa)
- J rel. / 0...1000.0bar (0...100000kPa)

Electronics

- Z 4...20mA
- H 4...20mA/HART®
- P Profibus PA
- F Foundation Fieldbus

Housing / Protection

- K Plastic / IP66/IP67
- A Aluminium / IP66/IP67
- D Aluminium double chamber / IP66/IP67
- 8 StSt (electropolished) 316L / IP66/IP67
- P PUR cable axial IP 68, ext. housing plastic IP 65
- W StSt double chamber / IP66/IP67
- R Plastic double chamber / IP66/IP67

Cable entry / Cable gland / Plug connection

- M M20x1.5 / with / without
- N $\frac{1}{2}$ NPT / without / without

Indicating/adjustment module (PLICSCOM)

- X Without
- A mounted

Accuracy class

- M 0.075 %
- E 0.10 %
- S 0.20 %

BR53.

--	--	--	--	--	--	--	--	--	--



Thank you for reading this data sheet.

For pricing or for further information, please contact us at our UK Office, using the details below.



UK Office

Keison Products,

P.O. Box 2124, Chelmsford, Essex, CM1 3UP, England.

Tel: +44 (0)330 088 0560

Fax: +44 (0)1245 808399

Email: sales@keison.co.uk

Please note - Product designs and specifications are subject to change without notice. The user is responsible for determining the suitability of this product.