



VEGABAR 54



Pressure transmitter with MINI-CERTEC® measuring cell

Application area

The VEGABAR 54 is a pressure transmitter for use in the paper, food processing and pharmaceutical industries as well as in water/sewage water plants. Depending on the version, it is used for level, gauge, absolute pressure or vacuum measurement. Measured products are gases, vapours and liquids, also those containing abrasive substances.

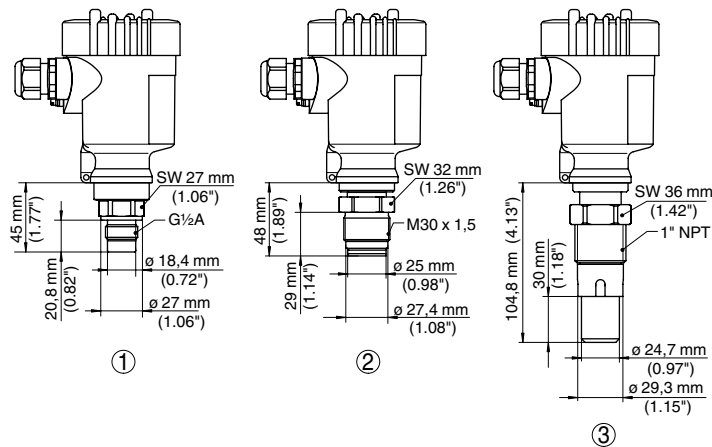
Advantages

Dry, ceramic-capacitive sensor element
High abrasion and overload resistance
High measuring accuracy

Function

The sensor element is the small CERTEC® measuring cell with flush, abrasion resistant ceramic diaphragm. The hydrostatic pressure of the medium or the process pressure causes a capacitance change in the measuring cell via the diaphragm. This change is converted into an appropriate output signal and outputted as measured value.

The CERTEC® measuring cell is also equipped with a temperature sensor. The temperature value can be displayed via the optional indicating and adjustment module or processed via the signal output.



- 1 Threaded version G $\frac{1}{2}$ A
- 2 Threaded version M30 x 1.5, absolutely front-flush
- 3 Threaded version 1" suitable for PASVE



Approval

- XX** without
- XM** Ship approval
- CX** ATEX II 1G, 1/2G, 2G EEx ia IIC T6
- CA** ATEX II 1G, 1/2G, 2G EEx ia IIC T6 + WHG
- CM** ATEX II 1G, 1/2G, 2G EEx ia IIC T6 + Ship approval
- CI** Zone 0, 0/1, 1 Ex ia IIC T6
- DX** ATEX II 1/2G, 2G EEx d ia IIC T6
- GX** ATEX II 1/2D, 2D Ex tD IP66 T..

Process fitting / Material

- BB** M44x1.25, pressure screw PN60 / 316L
- GB** Thread G½A (ISO228-1) front-flush PN60 / 316L
- GK** Thread 1" conus front-flush PN60 / 316L
- GC** Thread G1A (ISO228-1) completely front-flush PN60 / 316L
- BF** Thread M30x1.5(DIN13) absolutely front-flush PN60/316L
- CD** Tri-Clamp 1" PN16 / 316L
- PD** PMC 1¼" front-flush
- VP** Thread G1 (ISO228-1) suitable for PASVE PN40 / 316L
- FA** Flange DN25PN40 Form B1, EN 1092-1/316L

Seal measuring cell / Process temperature

- 1** FKM (VP2/A) / -20...120°C
- 3** EPDM (A+P 75.5/KW75F) / -40...120°C
- M** FFKM (Perlast G75B) / -15...120°C

Pressure / Measuring range

- A** rel. / 0...0.1bar (0...10kPa)
- B** rel. / 0...0.2bar (0...20kPa)
- C** rel. / 0...0.4bar (0...40kPa)
- D** rel. / 0...1.0bar (0...100kPa)
- E** rel. / 0...2.5bar (0...250kPa)
- F** rel. / 0...5.0bar (0...500kPa)
- G** rel. / 0...10.0bar (0...1000kPa)
- T** rel. / 0...25.0bar (0...2500kPa)
- W** rel. / 0...60.0bar (0...6000kPa)
- P** rel. / -1...0.0bar (-100...0kPa)
- Q** rel. / -1...1.5bar (-100...150kPa)
- R** rel. / -1...5.0bar (-100...500kPa)
- S** rel. / -1...10.0bar (-100...1000kPa)
- K** rel. / -0.05...0.05bar (-5...5kPa)
- L** rel. / -0.1...0.1bar (-10...10kPa)
- 1** abs. / 0...1.0bar (0...100kPa)
- 2** abs. / 0...2.5bar (0...250kPa)
- 3** abs. / 0...5.0bar (0...500kPa)

Electronics

- Z** 4...20mA
- H** 4...20mA/HART®
- P** Profibus PA
- F** Foundation Fieldbus

Housing / Protection

- K** Plastic / IP66/IP67
- A** Aluminium / IP66/IP67
- D** Aluminium double chamber / IP66/IP67
- 8** StSt (electropolished) 316L / IP66/IP67
- P** PUR cable axial IP 68, ext. housing plastic IP 65
- W** StSt double chamber / IP66/IP67
- R** Plastic double chamber / IP66/IP67

Cable entry / Cable gland / Plug connection

- M** M20x1.5 / with / without
- N** ½NPT / without / without

Indicating/adjustment module (PLICSCOM)

- X** Without
- A** mounted

Accuracy class

- E** 0.10 %
- S** 0.20 %

BR54.

Cable length in m

per 100 mm cable of PUR



Thank you for reading this data sheet.

For pricing or for further information, please contact us at our UK Office, using the details below.



UK Office

Keison Products,

P.O. Box 2124, Chelmsford, Essex, CM1 3UP, England.

Tel: +44 (0)330 088 0560

Fax: +44 (0)1245 808399

Email: sales@keison.co.uk

Please note - Product designs and specifications are subject to change without notice. The user is responsible for determining the suitability of this product.