



VEGABAR 55



Pressure transmitter with METEC® measuring cell

Application area

The VEGABAR 55 is a pressure transmitter for use in the chemical, food processing and pharmaceutical industry. Depending on the version, level, gauge pressure, absolute pressure or vacuum are used for measurement. Measured products are liquids and viscous products with higher temperatures.

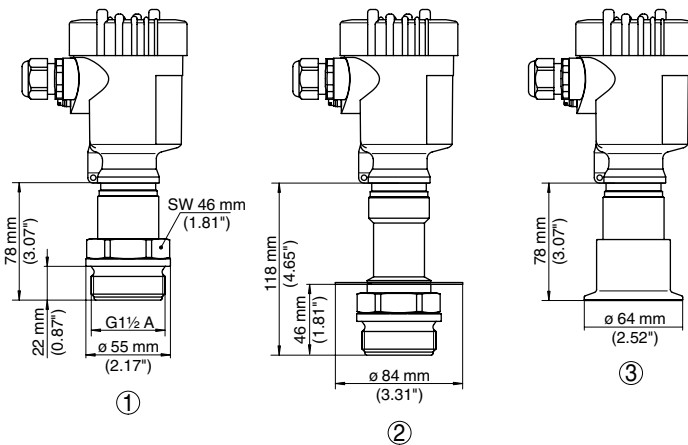
Advantages

- Front-flush, metallic diaphragm
- Good cleanability and high chemical resistance
- High measuring accuracy
- Small measuring ranges up to 0.1 bar
- Absolutely vacuum resistant

Function

The METEC® measuring cell is used as sensor element. The hydrostatic pressure of the medium or the process pressure causes a capacitance change in the measuring cell via the metal process diaphragm and the isolating liquid. This change is converted into a respective output signal.

This measuring cell characterizes by its excellent mechanical self-compensation behaviour at temperatures up to 200 °C.



- 1 Threaded version G1½ A
- 2 Threaded version G1½ A, 200 °C
- 3 Tri-Clamp version 2"



Approval

- XX without
- XM Ship approval
- CX ATEX II 1G, 1/2G, 2G Ex ia IIC T6
- CA ATEX II 1G, 1/2G, 2G Ex ia IIC T6 + WHG
- CM ATEX II 1G, 1/2G, 2G Ex ia IIC T6 + Ship approval
- DX ATEX II 1/2G, 2G Ex d ia IIC T6

Process fitting / Material

- FB Flange DN40PN40 Form C, DIN2501 / 316L
- FC Flange DN50PN40 Form C, DIN2501 / 316L
- F5 Flange 2" 150lb RF, ANSI B16.5 / 316L
- GG Thread G1½A (DIN3852-A) PN60 / 316L
- GN Thread 1½NPT (ASME B1.20.1) PN60 / 316L
- CA Tri-Clamp 2" PN16 / 316L
- LA Hyg. fitting w.compression nut F40PN40 / 316L
- TA Varivent N50-40 PN25 / 316L
- RV Bolting DN40PN40, DIN11851 / 316L
- AA DRD PN40 / 316L
- BB Thread M44x1.25 (DIN13) pressure screw StSt PN60 / 316L
- SB SMS DN51 PN6 / 316L

Isolating liquid / Temperature

- M Med.white oil/ -12...140°C (Pabs<1bar-12...130°C)
- S Med.w.oil,cool./-12...180°C(Pabs <1bar -12...130°C)
- R Med.w.oil,cool./-12...200°C(Pabs <1bar -12...130°C)

Pressure / Measuring range

- A rel. / 0...0.1bar (0...10kPa)
- C rel. / 0...0.4bar (0...40kPa)
- E rel. / 0...2.5bar (0...250kPa)
- F rel. / 0...5.0bar (0...500kPa)
- P rel. / -1...0.0bar (-100...0kPa)
- Q rel. / -1...1.5bar (-100...150kPa)
- R rel. / -1...5.0bar (-100...500kPa)
- S rel. / -1...10.0bar (-100...1000kPa)
- H rel. / -1...25.0bar (-100...2500kPa)
- K rel. / -0.05...0.05bar (-5...5kPa)
- L rel. / -0.1...0.1bar (-10...10kPa)
- M rel. / -0.2...0.2bar (-20...20kPa)
- O rel. / -0.5...0.5bar (-50...50kPa)
- 1 abs. / 0...1.0bar (0...100kPa)
- 2 abs. / 0...2.5bar (0...250kPa)
- 3 abs. / 0...5.0bar (0...500kPa)

Electronics

- Z 4...20mA
- H 4...20mA/HART®
- P Profibus PA
- F Foundation Fieldbus

Housing / Protection

- K Plastic / IP66/IP67
- A Aluminium / IP66/IP67
- D Aluminium 2-chamber / IP66/IP67
- 8 StSt (electropolished) 316L / IP66/IP67
- P PUR cable axial IP 68, ext. housing plastic IP 65
- W Stainless steel double chamber / IP66/IP67
- R Plastic double chamber / IP66/IP67

Cable entry / Cable gland / Plug connection

- M M20x1.5 / with / without
- N ½NPT / without / without

Indicating/Adjustment module (PLICSCOM)

- X Without
- A mounted

Accuracy class

- M 0.075 %
- E 0.10 %
- S 0.20 %

Additional equipment

- X without

BR55.

Cable length in m

per 100 mm cable of PUR



Thank you for reading this data sheet.

For pricing or for further information, please contact us at our UK Office, using the details below.



UK Office

Keison Products,

P.O. Box 2124, Chelmsford, Essex, CM1 3UP, England.

Tel: +44 (0)330 088 0560

Fax: +44 (0)1245 808399

Email: sales@keison.co.uk

Please note - Product designs and specifications are subject to change without notice. The user is responsible for determining the suitability of this product.