



VEGABAR 66



Suspension pressure transmitter with CERTEC® measuring cell

Application area

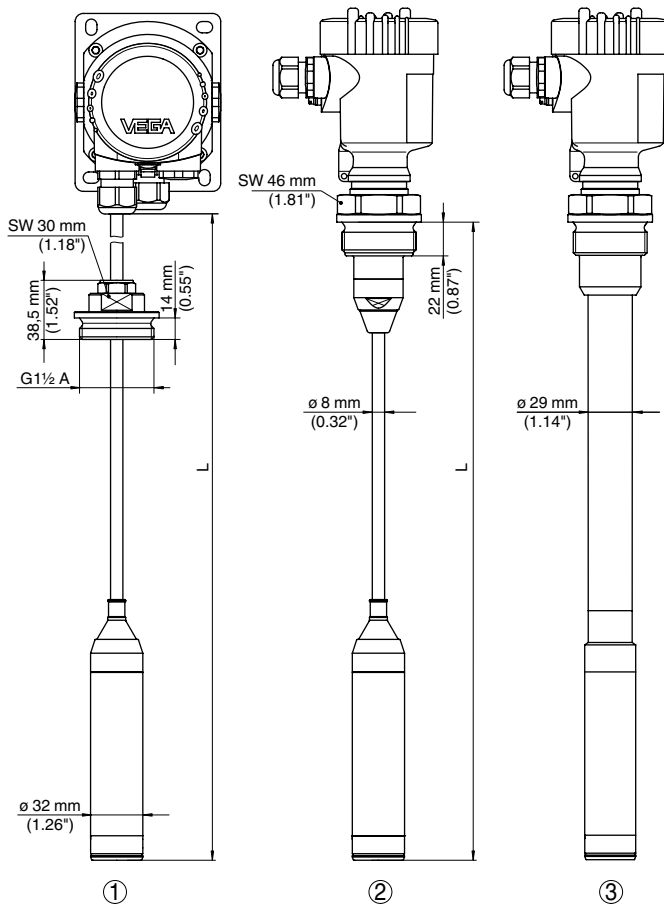
The VEGABAR 66 is a suspension pressure transmitter for level measurement in wells, basins and open vessels. For use in closed vessels with superimposed pressure, the instrument is available with absolute pressure measuring ranges.

Advantages

- Dry, ceramic-capacitive sensor element
- Casted cable component with inner capillaries
- Deviation < 0.1 %
- High overload resistance
- Self-cleaning effect by front-flushness

Function

Sensor element is the CERTEC® measuring cell with front-flush, abrasion resistant ceramic diaphragm. The hydrostatic pressure of the medium or the process pressure causes a capacitance change in the measuring cell via the diaphragm. This change is converted into an appropriate output signal and outputted as measured value. The CERTEC® measuring cell is also equipped with a temperature sensor. The temperature value can be displayed via the indicating and adjustment module or processed via the signal output.



- 1 Version with suspension cable and threaded fitting unassembled G1½ A
- 2 Threaded version G1½ A, suspension cable
- 3 Threaded version G1½ A, connection tube



Approval

- XX without
- XM Ship approval
- CX ATEX II 1G, 1/2G, 2G Ex ia IIC T6
- CA ATEX II 1G, 1/2G, 2G Ex ia IIC T6 + WHG
- CM ATEX II 1G, 1/2G, 2G Ex ia IIC T6 + Ship approval
- CI Zone 0, 0/1, 1 Ex ia IIC T6
- DX ATEX II 1/2G, 2G Ex d ia IIC T6
- DI Zone 0, 0/1, 1 Ex d ia IIC T6
- GX ATEX II 1/2D, 2D Ex td IP66 T..

Version / Process temperature

- E Suspension cable PE sensor diameter 32 mm / -20...60°C
- F Suspension cable PUR sensor diameter 32 mm / -20...80°C
- G Suspension cable FEP sensor diameter 32 mm/-20...100°C
- H Connection tube 316L sensor diameter 32 mm/-20...100°C

Process fitting / Material

- XX without
- AA Straining clamp / 1.4301
- GA Thread G1½A (DIN3852-A) PN60 / 316L
- GB Thread 1½NPT (ASME B1.20.1) PN60 / 316L
- FB Flange DN50PN40 C, DIN 2501 / 316L

Transmitter protection

- X without
- P PE-plastic coating

Seal measuring cell

- 1 FKM (VP2/A)
- 2 FFKM (Kalrez 6375)
- 3 EPDM (A+P 75.5/KW75F)

Pressure / Measuring range

- A rel. / 0...0.1bar (0...10kPa)
- B rel. / 0...0.2bar (0...20kPa)
- C rel. / 0...0.4bar (0...40kPa)
- D rel. / 0...1.0bar (0...100kPa)
- E rel. / 0...2.5bar (0...250kPa)
- F rel. / 0...5.0bar (0...500kPa)
- G rel. / 0...10.0bar (0...1000kPa)
- H rel. / 0...25.0bar (0...2500kPa)
- 1 abs. / 0...1.0bar (0...100kPa)
- 2 abs. / 0...2.5bar (0...250kPa)
- 3 abs. / 0...5.0bar (0...500kPa)
- 4 abs. / 0...10.0bar (0...1000kPa)
- 5 abs. / 0...25.0bar (0...2500kPa)

Electronics

- H 4...20mA/HART®
- P Profibus PA
- F Foundation Fieldbus

Housing / Protection

- K Plastic / IP66/IP67
- A Aluminium / IP66/IP67
- D Aluminium double chamber / IP66/IP67
- 8 StSt (electropolished) 316L / IP66/IP67
- T Cable outlet / IP 68, ext. housing plastic / IP 65
- R Plastic 2-chamber / IP66/IP67

Cable entry / Plug connection

- M M20x1.5 / without
- N ½NPT / without

Indicating/adjustment module (PLICSCOM)

- X Without
- A mounted

BR66.

Total length in m

- PE cable (400-250000 mm) per 100 mm
- FEP cable (400-250000 mm) per 100 mm
- PUR cable (400-250000 mm) per 100 mm
- Tube 316L (250-6000 mm) per 100 mm



Thank you for reading this data sheet.

For pricing or for further information, please contact us at our UK Office, using the details below.



UK Office

Keison Products,

P.O. Box 2124, Chelmsford, Essex, CM1 3UP, England.

Tel: +44 (0)330 088 0560

Fax: +44 (0)1245 808399

Email: sales@keison.co.uk

Please note - Product designs and specifications are subject to change without notice. The user is responsible for determining the suitability of this product.