



## VEGABAR 67



### Suspension pressure transmitter with METEC®

#### Application area

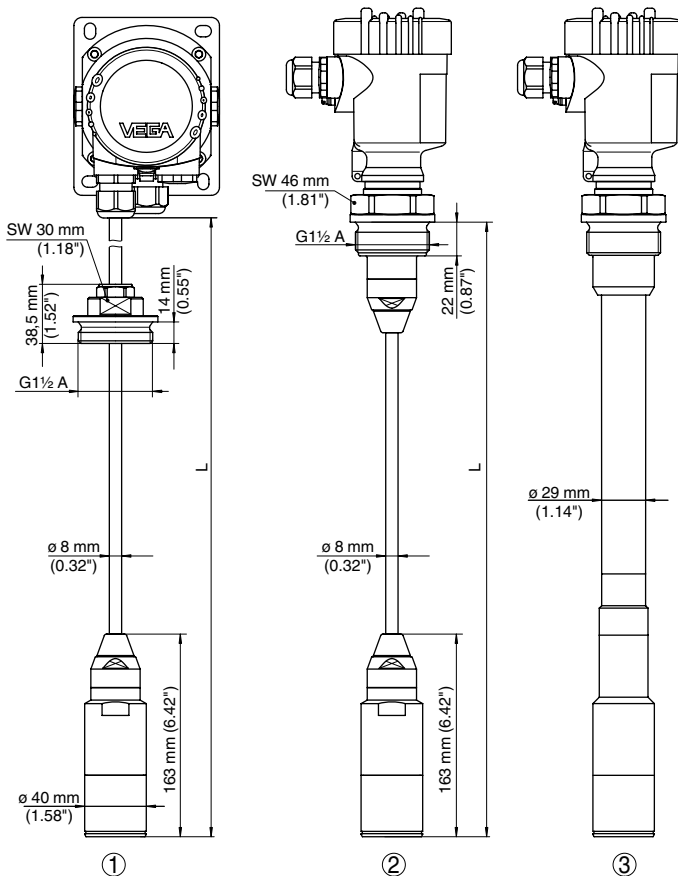
VEGABAR 67 is a suspension pressure transmitter for level measurement in wells, basins and open vessels. For use in closed vessels with superimposed pressure, the instrument is available with absolute pressure measuring ranges.

#### Advantages

- Casted cable component with inner capillaries
- Deviation < 0.1 %
- High overload resistance
- Self-cleaning effect by front-flushness

#### Function

Measuring unit is the METEC® measuring cell. It consists of the ceramic-capacitive CERTEC® measuring cell and a special, temperature-compensated chemical seal system. The hydrostatic pressure of the medium or the process pressure causes a capacitance change in the measuring cell via the process diaphragm and the isolating liquid. This change is converted into an appropriate output signal. The CERTEC® measuring cell is also equipped with a temperature sensor. The temperature value can be displayed via the indicating and adjustment module or processed via the signal output.



- 1 Version with suspension cable and threaded fitting unassembled G1½ A
- 2 Threaded version G1½ A, suspension cable
- 3 Threaded version G1½ A, connection tube



## Approval

- XX without .....
- XM Ship approval .....
- CX ATEX II 1G, 1/2G, 2G Ex ia IIC T6 .....
- CA ATEX II 1G, 1/2G, 2G Ex ia IIC T6 + WHG .....
- CM ATEX II 1G, 1/2G, 2G Ex ia IIC T6 + Ship approval .....
- CI Zone 0, 0/1, 1 Ex ia IIC T6 .....
- DX ATEX II 1/2G, 2G Ex d ia IIC T6 .....
- DI Zone 0, 0/1, 1 Ex d ia IIC T6 .....
- GX ATEX II 1/2D,2D Ex tD IP66 T.. .....

### Version / Process temperature

- B Suspension cable FEP / -12...100°C .....
- D Connection tube 316L / -12 ... 100 °C .....

### Process fitting / Material

- XX without .....
- AA Straining clamp / 1.4301 .....
- GA Thread G1½A (DIN3852-A) PN60 / 316L .....
- GB Thread 1½NPT (ASME B1.20.1) PN60 / 316L .....
- FB Flange DN50PN40 C, DIN 2501 / 316L .....

### Pressure / Measuring range

- A rel. / 0...0.1bar (0...10kPa) .....
- B rel. / 0...0.2bar (0...20kPa) .....
- C rel. / 0...0.4bar (0...40kPa) .....
- D rel. / 0...1.0bar (0...100kPa) .....
- E rel. / 0...2.5bar (0...250kPa) .....
- F rel. / 0...5.0bar (0...500kPa) .....
- G rel. / 0...10.0bar (0...1000kPa) .....
- H rel. / 0...25.0bar (0...2500kPa) .....
- 1 abs. / 0...1.0bar (0...100kPa) .....
- 2 abs. / 0...2.5bar (0...250kPa) .....
- 3 abs. / 0...5.0bar (0...500kPa) .....
- 4 abs. / 0...10.0bar (0...1000kPa) .....
- 5 abs. / 0...25.0bar (0...2500kPa) .....

### Electronics

- H 4...20mA/HART® .....
- P Profibus PA .....
- F Foundation Fieldbus .....

### Housing / Protection

- K Plastic / IP66/IP67 .....
- A Aluminium / IP66/IP67 .....
- D Aluminium double chamber / IP66/IP67 .....
- 8 StSt (electropolished) 316L / IP66/IP67 .....
- T Cable outlet / IP 68, ext. housing plastic / IP 65 .....
- R Plastic 2-chamber / IP66/IP67 .....

### Cable entry / Plug connection

- M M20x1.5 / without .....
- N ½NPT / without .....

### Indicating/adjustment module (PLICSCOM)

- X Without .....
- A mounted .....

BR67.

### Total length L in m

- FEP cable (400-180000 mm) per 100 mm
- Tube 316L (250-6000 mm) per 100 mm



Thank you for reading this data sheet.

For pricing or for further information, please contact us at our UK Office, using the details below.



**UK Office**

**Keison Products,**

**P.O. Box 2124, Chelmsford, Essex, CM1 3UP, England.**

**Tel: +44 (0)330 088 0560**

**Fax: +44 (0)1245 808399**

**Email: [sales@keison.co.uk](mailto:sales@keison.co.uk)**

Please note - Product designs and specifications are subject to change without notice. The user is responsible for determining the suitability of this product.