

## VEGABAR 81

### Pressure transmitter with chemical seal

#### Application area

The VEGABAR 81 is a pressure transmitter with chemical seal for pressure and level measurement. The chemical seal systems of VEGABAR 81 adapted to the process, ensure a reliable measurement even with highly corrosive and hot products.

#### Your benefit

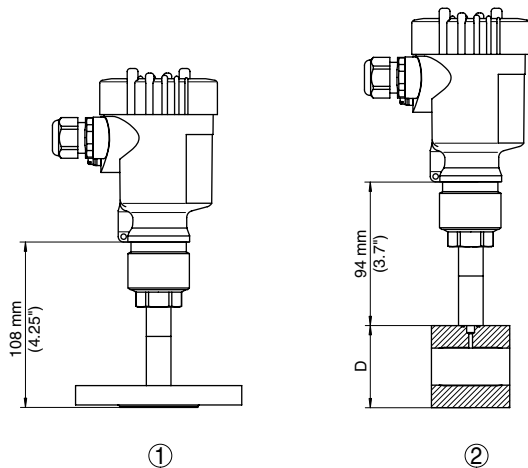
- Simple adaptation thanks to various configuration options
- Reliable measurement with temperatures up to 400 °C
- Reliable measurement independent of foam generation or tank installations

#### Technical data

Measuring cell:	chemical seal system
Measuring range:	-1 ... +1000 bar (-100 ... +100000 kPa)
Process fitting:	thread from G $\frac{1}{2}$ , $\frac{1}{2}$ NPT flanges from DN 25, 1" hygienic fittings
Process temperature:	-90 ... +400 °C
Accuracy class:	0.2 %



### Successor type for VEGABAR 51



- 1 Flange version +150 °C
- 2 Version with tube isolating diaphragm +150 °C





Thank you for reading this data sheet.

For pricing or for further information, please contact us at our UK Office, using the details below.



**UK Office**

**Keison Products,**

**P.O. Box 2124, Chelmsford, Essex, CM1 3UP, England.**

**Tel: +44 (0)330 088 0560**

**Fax: +44 (0)1245 808399**

**Email: [sales@keison.co.uk](mailto:sales@keison.co.uk)**

Please note - Product designs and specifications are subject to change without notice. The user is responsible for determining the suitability of this product.