

VEGABAR 82



Pressure transmitter with ceramic measuring cell

Application area

The VEGABAR 82 pressure transmitter can be used universally for the measurement of gases, vapours and liquids. Substances such as sand can be handled easily thanks to the abrasion-resistant ceramic measuring cell. The VEGABAR 82 offers maximum reliability. The transmitter can be used in all industries.

Your benefit

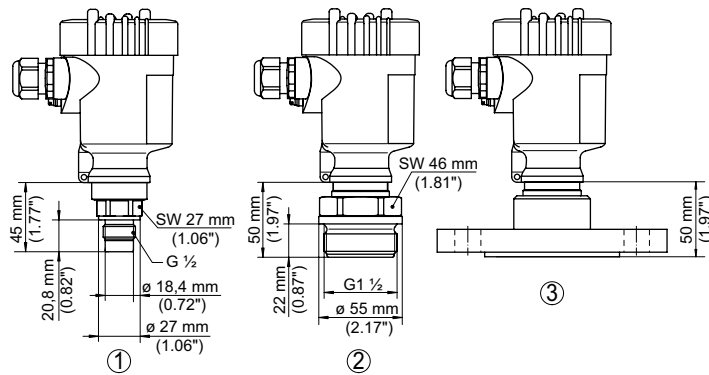
- High plant availability through maximum overload and vacuum resistance of the ceramic measuring cell
- Measurement down to the last drop through smallest measuring ranges with high accuracy
- Low maintenance costs thanks to wear-free ceramic measuring cell

Technical data

Measuring cell:	CERTEC [®] , MINI-CERTEC [®]
Measuring range:	-1 ... +100 bar (-100 ... +10000 kPa)
Process fitting:	thread from G $\frac{1}{2}$, $\frac{1}{2}$ NPT flanges from DN 15, $1\frac{1}{2}$ " hygienic fittings
Process temperature:	-40 ... +150 °C
Accuracy class:	0.2 %; 0.1 %; 0.05 %



Successor type for VEGABAR 52 and 54



- 1 Threaded version G $\frac{1}{2}$, front-flush
- 2 Threaded version G $1\frac{1}{2}$
- 3 Flange version DN 50

Scope

- A** Europe
- I** worldwide

Approval

- X** for Ex-free area
- C** ATEX II 1G, 1/2G, 2G Ex ia IIC T6
- O** ATEX II 1G, 1/2G, 2G Ex ia IIC T6 + Ship approval
- E** ATEX II 1/2G, 2G Ex d IIC T6
- C** IEC Ex ia IIC T6

Process fitting / Material

- C3** Thread G½ (ISO228-1) front-flush / 316L
- DA** Thread G1½ (DIN3852-A) / 316L
- DU** Thread G½ (EN837) manometer connection / 316L
- AV** Clamp 1" PN16(ø50.5mm) DIN32676,ISO2852 /316L
- B5** Flange DN80 PN40 Form C, DIN2501 / 316L

Sealing concept

- S** Single
- D** Double

Measuring cell seal / Process temperature

- A** FKM (VP2/A) / -20...130°C
- D** EPDM (A+P 75.5/KW75F) / -40...130°C
- H** FFKM (Perlast G75B) / -15...130°C

Pressure

- A** Absolute
- G** Relative

Measuring range

- A** 0...0.025bar (0...2.5kPa)
- B** 0...0.1bar (0...10kPa)
- C** 0...0.4bar (0...40kPa)
- D** 0...1.0bar (0...100kPa)
- E** 0...2.5bar (0...250kPa)
- G** 0...10.0bar (0...1000kPa)
- I** 0...25.0bar (0...2500kPa)
- L** 0...100.0bar (0...10000kPa)
- W** -1...10.0bar (-100...1000kPa)

Accuracy class

- H** 0.050%
- E** 0.1 %
- S** 0.2%

Electronics

- Z** Two-wire 4...20mA
- H** Two-wire 4...20mA/HART®
- A** Two-wire 4...20mA/HART® with SIL qualification
- P** Profibus PA
- F** Foundation Fieldbus
- S** Slave electronics for electronic differential pressure

Supplementary electronics

- X** without

Housing

- K** Plastic
- A** Aluminium
- D** Aluminium double chamber
- 8** Stainless steel (electropolished) 316L
- R** Plastic double chamber

Housing version / Protection

- I** Compact / IP66/IP67 NEMA6P
- A** Separate axial cable outlet PUR/IP66/IP68 (25 bar)NEMA

Cable entry / Connection

- M** M20x1.5 / Cable gland PA black
- N** ½NPT / Blind plug

Display/Adjustment module PLICSCOM

- X** without
- A** Mounted

Certificate

- M** yes (e.g. FDA; EN 10204-3.1; NACE)
- X** no

B82.

Cable length
per 100 mm cable of PUR





Thank you for reading this data sheet.

For pricing or for further information, please contact us at our UK Office, using the details below.



UK Office

Keison Products,

P.O. Box 2124, Chelmsford, Essex, CM1 3UP, England.

Tel: +44 (0)330 088 0560

Fax: +44 (0)1245 808399

Email: sales@keison.co.uk

Please note - Product designs and specifications are subject to change without notice. The user is responsible for determining the suitability of this product.