

## VEGABAR 83



Pressure transmitter with metallic measuring cell

### Application area

The VEGABAR 83 is a pressure transmitter for pressure measurement of gases, vapours and liquids in all industries. The VEGABAR 83 offers special advantages in applications with high pressures.

### Your benefit

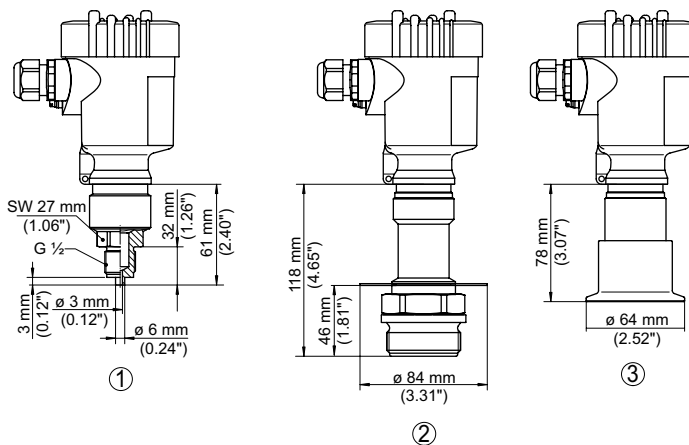
- Universal use due to completely welded measuring cell
- High reliability through vacuum resistant version
- Maximum dependability and safety through proven technology

### Technical data

Measuring cell:	piezoresistive/thin film strain gauge/METEC®
Meas. range:	-1 ... +1000 bar (-100 ... +100000 kPa)
Process fitting:	thread from G $\frac{1}{2}$ , $\frac{1}{2}$ NPT flanges from DN 25 hygienic fittings
Process temperature:	-40 ... +200 °C
Accuracy class:	0.2 %; 0.1 %; 0.075 %



### Successor type for VEGABAR 53 and 55



- 1 Threaded version G $\frac{1}{2}$ , manometer connection EN 837
- 2 Threaded version, front-flush with shroud
- 3 Clamp version

**Scope**

- A Europe .....
- I worldwide .....

**Approval**

- X for Ex-free area .....
- C ATEX II 1G, 1/2G, 2G Ex ia IIC T6 .....
- O ATEX II 1G, 1/2G, 2G Ex ia IIC T6 + Ship approval .....
- E ATEX II 1/2G, 2G Ex d IIC T6 .....
- C IEC Ex ia IIC T6 .....

**Process fitting / Material**

- C5 Thread G1 (ISO228-1) / 316L .....
- DA Thread G1½ (DIN3852-A) / 316L .....
- DU Thread G1½ (EN837) manometer connection / 316L .....
- AR Clamp 2" PN16 (ø64mm) DIN32676, ISO2852 / 316L .....
- CQ Flange DN50 PN40 Form B1, EN1092-1 / 316L .....

**Process temperature / Seal**

- S Standard / -40...105°C / without .....
- E Extended temperature range / -40 ... 150 ° C / without .....
- H High temperature / -12 ... 180 ° C / without .....
- T High temp. with screening shield/-12 ... 200°C/without .....

**Pressure**

- A Absolute .....
- G Relative .....

**Measuring range**

- C 0...0.4bar (0...40kPa) .....
- D 0...1.0bar (0...100kPa) .....
- E 0...2.5bar (0...250kPa) .....
- G 0...10.0bar (0...1000kPa) .....
- I 0...25.0bar (0...2500kPa) .....
- L 0...100.0bar (0...10000kPa) .....
- W -1...10.0bar (-100...1000kPa) .....
- N 0...250.0bar (0...25000kPa) .....
- O 0...600.0bar (0...60000kPa) .....
- P 0...1000.0bar (0...100000kPa) .....

**Accuracy class**

- M 0.075% .....
- E 0.1 % .....
- S 0.2% .....

**Electronics**

- Z Two-wire 4 ... 20mA .....
- H Two-wire 4...20mA/HART® .....
- A Two-wire 4...20mA/HART® with SIL qualification .....
- P Profibus PA .....
- F Foundation Fieldbus .....
- S Slave electronics for electronic differential pressure .....

**Supplementary electronics**

- X without .....

**Housing**

- K Plastic .....
- A Aluminium .....
- D Aluminium double chamber .....
- 8 Stainless steel (electropolished) 316L .....
- R Plastic double chamber .....

**Housing version / Protection**

- I Compact / IP66/IP67 NEMA6P .....
- A Separate axial cable outlet PUR/IP66/IP68 (25 bar)NEMA .....

**Cable entry**

- M ~ ~ .....
- N ½NPT / Blind plug .....

**Display/Adjustment module PLICSCOM**

- X without .....
- A Mounted .....

**Certificate**

- M yes (e.g. FDA; EN 10204-3.1; NACE) .....
- X no .....

B83.

**Cable length**

per 100 mm cable of PUR





Thank you for reading this data sheet.

For pricing or for further information, please contact us at our UK Office, using the details below.



**UK Office**

**Keison Products,**

**P.O. Box 2124, Chelmsford, Essex, CM1 3UP, England.**

**Tel: +44 (0)330 088 0560**

**Fax: +44 (0)1245 808399**

**Email: [sales@keison.co.uk](mailto:sales@keison.co.uk)**

Please note - Product designs and specifications are subject to change without notice. The user is responsible for determining the suitability of this product.