



## VEGACAL 63



### Capacitive rod electrode for continuous level measurement

#### Application area

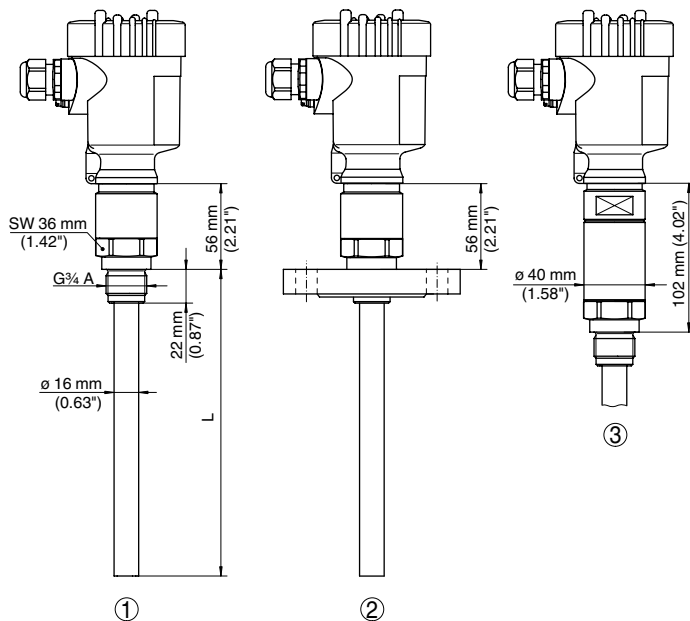
VEGACAL 63 is a level sensor for continuous level measurement in all areas of industry. Fully insulated probes such as VEGACAL 63 are preferably used in conductive liquids.

#### Advantages

- Service-proven, robust and maintenance-free
- High reliability
- Simple mounting and setup
- Measurement along the complete probe length
- Resistant materials

#### Function

Sensor and vessel form the two electrodes of a capacitor. A level change causes a capacitance change which is converted into a continuous output signal by the connected processing electronics.



- 1 Threaded version
- 2 Flange version
- 3 Threaded version with temperature adapter +200 °C

**Approval**

- XX** without .....
- XM** Ship approval .....
- CX** ATEX II 1G, 1/2G, 2G Ex ia IIC T6 .....
- CA** ATEX II 1G, 1/2G, 2G Ex ia IIC T6 + WHG .....
- CM** ATEX II 1G, 1/2G, 2G Ex ia IIC T6 + Ship approval .....
- CK** ATEX II 1G,1/2G,2G Ex ia IIC T6+1/2D,2D Ex tD IP66 T .....
- CI** IECEx EX ia IIC T6 .....
- DX** ATEX II 1/2G, 2G Ex d ia IIC T6 .....
- DI** 0/1 Ex d ia IIC T6 .....
- GX** ATEX II 1/2D, 2D Ex tD IP66 T .....

**Version / Process temperature**

- E** PE insulation / -40...80°C .....
- F** PTFE insulation / -50...150°C .....
- G** PTFE insulation / -50...200°C .....
- H** PE insulation and concentric tube 316L / -40...80°C .....
- I** PTFE insulation and concentric tube 316L / -50...150°C .....
- J** PTFE insulation and concentric tube 316L / -50...200°C .....

**Process fitting / Material**

- GA** Thread G $\frac{3}{4}$  (DIN 3852-A) PN64 / 316L .....
- NA** Thread  $\frac{3}{4}$ NPT (ASME B1.20.1) PN64 / 316L .....
- GC** Thread G1 (DIN 3852-A) PN64 / 316L .....
- NC** Thread 1NPT (ASME B1.20.1) PN64 / 316L .....
- GD** Thread G1 $\frac{1}{2}$  (DIN 3852-A) PN64 / 316L .....
- GS** Thread G1 $\frac{1}{2}$  (DIN 3852-A) PN64 / Steel .....
- ND** Thread 1 $\frac{1}{2}$ NPT (ASME B1.20.1) PN64 / 316L .....
- EF** Flange DN50PN40 Form C,DIN2501/316L .....
- KF** Flange DN80PN40 Form C,DIN2501/316L .....
- MF** Flange DN100PN16 Form C,DIN2501/316L .....
- HA** Flange 2"150lb RF,ANSI B16.5/316L .....
- OA** Flange 3"150lb RF,ANSI B16.5/316L .....
- SA** Flange 4"150lb RF,ANSI B16.5/316L .....

**Electronics**

- H** 4...20mA/HART® .....
- X** for connection to a signal conditioning instrument .....
- P** Profibus PA .....
- F** Foundation Fieldbus .....

**Housing / Protection**

- K** Plastic / IP66/IP67 .....
- A** Aluminium / IP66/IP68 (0.2 bar) .....
- D** Aluminium double chamber / IP66/IP68 (0.2 bar) .....
- 8** StSt (electropolished) 316L / IP66/IP68 (0.2bar) .....
- W** StSt double chamber / IP66/IP68 (0.2bar) .....
- R** Plastic 2-chamber / IP66/IP67 .....

**Cable entry / Cable gland / Plug connection**

- M** M20x1.5 / with / without .....
- N**  $\frac{1}{2}$ NPT / without / without .....

**Indicating/adjustment module (PLICSCOM)**

- X** Without .....
- A** mounted .....

**Additional equipment**

- X** Without .....

CL63. 

--	--	--	--	--	--	--	--	--	--

**Length (from seal surface)**

- 316L/PE fully insulated (100-6000 mm) per 100 mm
- 316L/PTFE fully insulated (100-6000 mm) per 100 mm

**Length concentric tube**

- 316L (100-6000 mm) per 100 mm



Thank you for reading this data sheet.

For pricing or for further information, please contact us at our UK Office, using the details below.



**UK Office**

**Keison Products,**

**P.O. Box 2124, Chelmsford, Essex, CM1 3UP, England.**

**Tel: +44 (0)330 088 0560**

**Fax: +44 (0)1245 808399**

**Email: [sales@keison.co.uk](mailto:sales@keison.co.uk)**

Please note - Product designs and specifications are subject to change without notice. The user is responsible for determining the suitability of this product.