



## VEGACAL 64



### Capacitive rod electrode for continuous level measurement

#### Application area

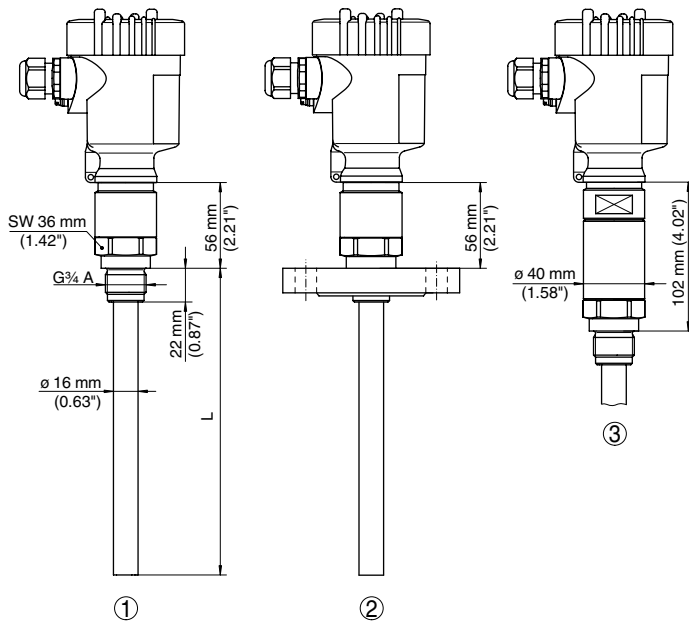
VEGACAL 64 is a level sensor for continuous level measurement in all areas of industry. Fully insulated probes such as VEGACAL 64 are preferably used in conductive liquids. It is particularly suitable for viscous and adhesive products.

#### Advantages

- Insensitive to buildup
- Service-proven, robust and maintenance-free
- High reliability
- Simple mounting and setup
- Measurement along the complete probe length
- High resistance insulating material of FEP

#### Function

Sensor and vessel form the two electrodes of a capacitor. A level change causes a capacitance change which is converted into a continuous output signal by the connected processing electronics.



- 1 Threaded version
- 2 Flange version
- 3 Threaded version with temperature adapter 200 °C

**Approval**

- XX** without .....
- XM** Ship approval .....
- CX** ATEX II 1G, 1/2G, 2G Ex ia IIC T6 .....
- CA** ATEX II 1G, 1/2G, 2G Ex ia IIC T6 + WHG .....
- CM** ATEX II 1G, 1/2G, 2G Ex ia IIC T6 + Ship approval .....
- CK** ATEX II 1G,1/2G,2G Ex ia IIC T6+1/2D,2D Ex tD IP66 T .....
- CI** IECEx EX ia IIC T6 .....
- DX** ATEX II 1/2G, 2G Ex d ia IIC T6 .....
- DI** 0/1 Ex d ia IIC T6 .....
- GX** ATEX II 1/2D, 2D Ex tD IP66 T .....

**Version / Process temperature**

- R** FEP insulation / -50...150°C .....

**Process fitting / Material**

- GA** Thread G $\frac{3}{4}$  (DIN 3852-A) PN64 / 316L .....
- NA** Thread  $\frac{3}{4}$ NPT (ASME B1.20.1) PN64 / 316L .....
- GC** Thread G1 (DIN 3852-A) PN64 / 316L .....
- NC** Thread 1NPT (ASME B1.20.1) PN64 / 316L .....
- GD** Thread G1 $\frac{1}{2}$  (DIN 3852-A) PN64 / 316L .....
- GS** Thread G1 $\frac{1}{2}$  (DIN 3852-A) PN64 / Steel .....
- ND** Thread 1 $\frac{1}{2}$ NPT (ASME B1.20.1) PN64 / 316L .....
- EF** Flange DN50PN40 Form C,DIN2501/316L .....
- KF** Flange DN80PN40 Form C,DIN2501/316L .....
- MF** Flange DN100PN16 Form C,DIN2501/316L .....
- HA** Flange 2"150lb RF,ANSI B16.5/316L .....
- OA** Flange 3"150lb RF,ANSI B16.5/316L .....
- SA** Flange 4"150lb RF,ANSI B16.5/316L .....

**Electronics**

- H** 4...20mA/HART® .....
- X** for connection to a signal conditioning instrument .....
- P** Profibus PA .....
- F** Foundation Fieldbus .....

**Housing / Protection**

- K** Plastic / IP66/IP67 .....
- A** Aluminium / IP66/IP68 (0.2 bar) .....
- D** Aluminium double chamber / IP66/IP68 (0.2 bar) .....
- 8** StSt (electropolished) 316L / IP66/IP68 (0.2bar) .....
- W** StSt double chamber / IP66/IP68 (0.2bar) .....
- R** Plastic 2-chamber / IP66/IP67 .....

**Cable entry / Cable gland / Plug connection**

- M** M20x1.5 / with / without .....
- N**  $\frac{1}{2}$ NPT / without / without .....

**Indicating/adjustment module (PLICSCOM)**

- X** Without .....
- A** mounted .....

**Additional equipment**

- X** Without .....

<b>CL64.</b>									
--------------	--	--	--	--	--	--	--	--	--

**Length (from seal surface)**

316L/FEP fully insulated (200-4000 mm) per 100 mm



Thank you for reading this data sheet.

For pricing or for further information, please contact us at our UK Office, using the details below.



**UK Office**

**Keison Products,**

**P.O. Box 2124, Chelmsford, Essex, CM1 3UP, England.**

**Tel: +44 (0)330 088 0560**

**Fax: +44 (0)1245 808399**

**Email: [sales@keison.co.uk](mailto:sales@keison.co.uk)**

Please note - Product designs and specifications are subject to change without notice. The user is responsible for determining the suitability of this product.