



## VEGACAL 65



### Capacitive cable electrode for continuous level measurement

#### Application area

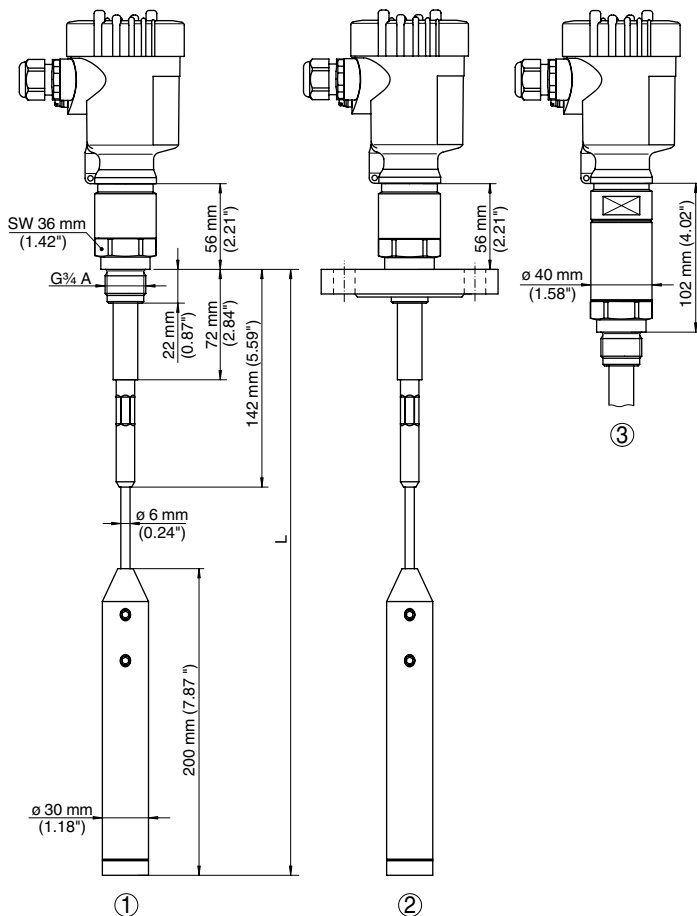
VEGACAL 65 is a level sensor for continuous level measurement in all areas of industry. Partly insulated probes such as VEGACAL 65 are preferably used in bulk solids. However, the probe can also be used in non-conductive liquids such as e.g. oil.

#### Advantages

- Service-proven, robust and maintenance-free
- High reliability
- Simple mounting and setup
- Measurement along the complete probe length
- Probe can be shortened

#### Function

Sensor and vessel form the two electrodes of a capacitor. A level change causes a capacitance change which is converted into a continuous output signal by the connected processing electronics.



- 1 Threaded version
- 2 Flange version
- 3 Threaded version with temperature adapter 200 °C

**Approval**

- XX** without .....
- XM** Ship approval .....
- CX** ATEX II 1G, 1/2G, 2G Ex ia IIC T6 .....
- CA** ATEX II 1G, 1/2G, 2G Ex ia IIC T6 + WHG .....
- CM** ATEX II 1G, 1/2G, 2G Ex ia IIC T6 + Ship approval .....
- CK** ATEX II 1G,1/2G,2G Ex ia IIC T6+1/2D,2D Ex tD IP66 T .....
- CI** IECEx EX ia IIC T6 .....
- DX** ATEX II 1/2G, 2G Ex d ia IIC T6 .....
- DI** 0/1 Ex d ia IIC T6 .....
- GX** ATEX II 1/2D, 2D Ex tD IP66 T .....

**Version / Process temperature**

- K** Cable ø 6mm / 316 with gravity weight / -50...150°C .....
- U** Cable ø6mm with screening tube a. gr.weight/-50...150°C .....
- L** Cable ø 6mm / 316 with gravity weight / -50...200°C .....
- V** Cable ø6mm w.screening tube a. grav.weight/-50...200°C .....

**Process fitting / Material**

- GC** Thread G1 (DIN 3852-A) PN64 / 316L .....
- NC** Thread 1NPT (ASME B1.20.1) PN64 / 316L .....
- GD** Thread G1½ (DIN 3852-A) PN64 / 316L .....
- GS** Thread G1½ (DIN 3852-A) PN64 / Steel .....
- ND** Thread 1½NPT (ASME B1.20.1) PN64 / 316L .....
- EF** Flange DN50PN40 Form C,DIN2501/316L .....
- KF** Flange DN80PN40 Form C,DIN2501/316L .....
- MF** Flange DN100PN16 Form C,DIN2501/316L .....
- HA** Flange 2"150lb RF,ANSI B16.5/316L .....
- OA** Flange 3"150lb RF,ANSI B16.5/316L .....
- SA** Flange 4"150lb RF,ANSI B16.5/316L .....

**Electronics**

- H** 4...20mA/HART® .....
- X** for connection to a signal conditioning instrument .....
- P** Profibus PA .....
- F** Foundation Fieldbus .....

**Housing / Protection**

- K** Plastic / IP66/IP67 .....
- A** Aluminium / IP66/IP68 (0.2 bar) .....
- D** Aluminium double chamber / IP66/IP68 (0.2 bar) .....
- 8** StSt (electropolished) 316L / IP66/IP68 (0.2bar) .....
- W** StSt double chamber / IP66/IP68 (0.2bar) .....
- R** Plastic 2-chamber / IP66/IP67 .....

**Cable entry / Cable gland / Plug connection**

- M** M20x1.5 / with / without .....
- N** ½NPT / without / without .....

**Indicating/adjustment module (PLICSCOM)**

- X** Without .....
- A** mounted .....

**Additional equipment**

- X** Without .....

<b>CL65.</b>									
--------------	--	--	--	--	--	--	--	--	--

**Length (from seal surface)**

316 (400-32000 mm) per 100 mm

**Length screening tube**

316L (70-4000 mm) per 100 mm



Thank you for reading this data sheet.

For pricing or for further information, please contact us at our UK Office, using the details below.



**UK Office**

**Keison Products,**

**P.O. Box 2124, Chelmsford, Essex, CM1 3UP, England.**

**Tel: +44 (0)330 088 0560**

**Fax: +44 (0)1245 808399**

**Email: [sales@keison.co.uk](mailto:sales@keison.co.uk)**

Please note - Product designs and specifications are subject to change without notice. The user is responsible for determining the suitability of this product.