



VEGACAL 66



Capacitive cable electrode for continuous level measurement

Application area

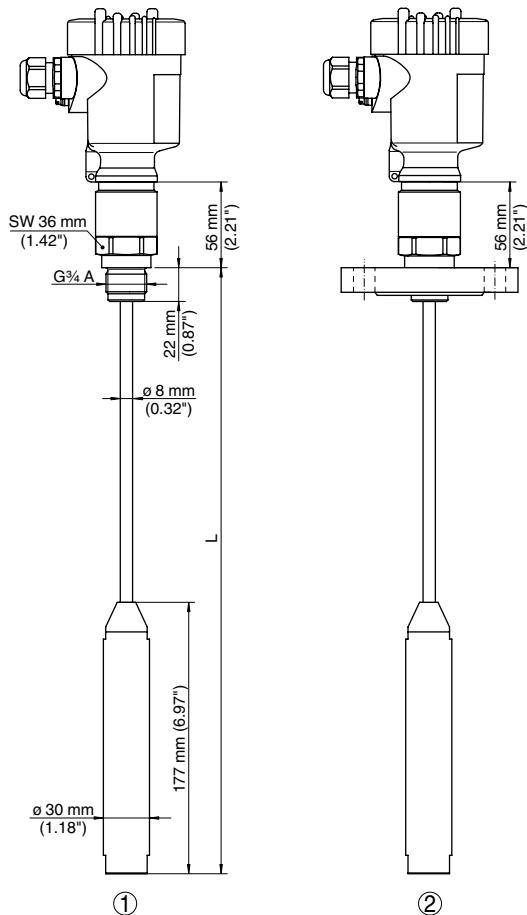
VEGACAL 66 is a level sensor for continuous level measurement in all areas of industry. Fully insulated probes such as VEGACAL 66 are preferably used in conductive liquids and bulk solids. The gravity weight is inactive.

Advantages

- Service-proven, robust and maintenance-free
- High reliability
- Simple mounting and setup
- Measurement along the complete probe length

Function

Sensor and vessel form the two electrodes of a capacitor. A level change causes a capacitance change which is converted into a continuous output signal by the connected processing electronics.



- 1 Threaded version
- 2 Flange version

Approval

- XX** without
- XM** Ship approval
- CX** ATEX II 1G, 1/2G, 2G Ex ia IIC T6
- CA** ATEX II 1G, 1/2G, 2G Ex ia IIC T6 + WHG
- CM** ATEX II 1G, 1/2G, 2G Ex ia IIC T6 + Ship approval
- CK** ATEX II 1G,1/2G,2G Ex ia IIC T6+1/2D,2D Ex tD IP66 T
- CI** IECEx EX ia IIC T6
- DX** ATEX II 1/2G, 2G Ex d ia IIC T6
- DI** 0/1 Ex d ia IIC T6
- GX** ATEX II 1/2D, 2D Ex tD IP66 T

Version / Process temperature

- N** PTFE insulated cable ø8mm w. gravity weight/-50...150°C

Process fitting / Material

- GC** Thread G1 (DIN 3852-A) PN40 / 316L
- NC** Thread 1NPT (ASME B1.20.1) PN64 / 316L
- GD** Thread G1½ (DIN 3852-A) PN40 / 316L
- GS** Thread G1½ (DIN 3852-A) PN40 / Steel
- ND** Thread 1½NPT (ASME B1.20.1) PN40/316L
- EF** Flange DN50PN40 Form C,DIN2501/316L
- KF** Flange DN80PN40 Form C,DIN2501/316L
- MF** Flange DN100PN16 Form C,DIN2501/316L
- HA** Flange 2"150lb RF,ANSI B16.5/316L
- OA** Flange 3"150lb RF,ANSI B16.5/316L
- SA** Flange 4"150lb RF,ANSI B16.5/316L

Electronics

- H** 4...20mA/HART®
- X** for connection to a signal conditioning instrument
- P** Profibus PA
- F** Foundation Fieldbus

Housing / Protection

- K** Plastic / IP66/IP67
- A** Aluminium / IP66/IP68 (0.2 bar)
- D** Aluminium double chamber / IP66/IP68 (0.2 bar)
- 8** StSt (electropolished) 316L / IP66/IP68 (0.2bar)
- W** StSt double chamber / IP66/IP68 (0.2bar)
- R** Plastic 2-chamber / IP66/IP67

Cable entry / Cable gland / Plug connection

- M** M20x1.5 / with / without
- N** ½NPT / without / without

Indicating/adjustment module (PLICSCOM)

- X** Without
- A** mounted

Additional equipment

- X** Without

CL66.									
--------------	--	--	--	--	--	--	--	--	--

Length (from seal surface)

316/PTFE insulated (400-32000 mm) per 100 mm



Thank you for reading this data sheet.

For pricing or for further information, please contact us at our UK Office, using the details below.



UK Office

Keison Products,

P.O. Box 2124, Chelmsford, Essex, CM1 3UP, England.

Tel: +44 (0)330 088 0560

Fax: +44 (0)1245 808399

Email: sales@keison.co.uk

Please note - Product designs and specifications are subject to change without notice. The user is responsible for determining the suitability of this product.