

VEGACAL 69



Capacitive double rod electrode for level measurement

Application area

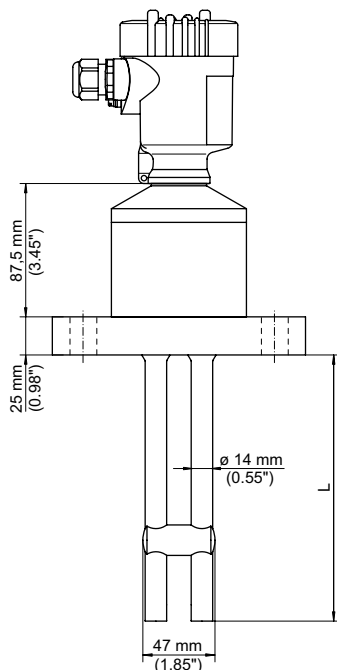
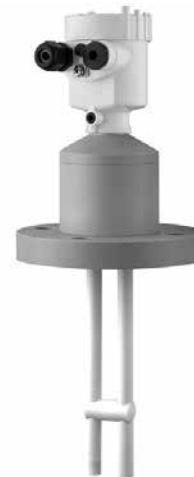
The VEGACAL 69 is a level sensor for continuous level measurement of liquids in non-conductive vessels or corrosive liquids. The double rod probe is fully insulated and highly resistant.

Your benefit

- Low mounting expenditure through compact double rod version
- Long service life and low maintenance due to high resistance materials
- Maximum utilization of the vessel because measurement over the complete probe length

Technical data

Version:	double rod
Measuring range:	up to 4 m
Process fitting:	flanges from DN 50, 2"
Materials:	PTFE, PP, FEP
Process temperature:	-50 ... +100 °C
Process pressure:	-1 ... +2 bar (-100 ... +200 kPa)
SIL qualification:	optionally up to SIL2



Approval

- XX** without
- CX** ATEX II 1G, 1/2G, 2G Ex ia IIC T6...T1 Ga, Ga/Gb, Gb
- CI** IECEx Ex ia IIC T6 Ga, Ga/Gb, Gb

Version / Process temperature

- 1** FEP insulation / 0...60°C / -1...2 bar
- 2** FEP insulation / -40...100°C / -1...2 bar

Process fitting / Material

- PA** Flange DN50PN16 / PP
- TA** Flange DN50PN16 / PTFE
- PC** Flange DN80PN16 / PP
- TC** Flange DN80PN16 / PTFE
- PD** Flange DN100PN16 / PP
- TD** Flange DN100PN16 / PTFE
- PE** Flange DN125PN16 / PP
- TE** Flange DN125PN16 / PTFE
- PK** Flange 2"150lb / PP
- TK** Flange 2"150lb / PTFE
- PL** Flange 3"150lb / PP
- TL** Flange 3"150lb / PTFE
- PM** Flange 4"150lb / PP
- TM** Flange 4"150lb / PTFE

Electronics

- H** 4...20mA/HART®
- X** for connection to a signal conditioning instrument
- P** Profibus PA
- F** Foundation Fieldbus

Housing / Protection

- K** Plastic / IP66/IP67
- R** Plastic 2-chamber / IP66/IP67

Cable entry / Cable gland / Plug connection

- M** M20x1.5 / with / without
- N** ½NPT / without / without

Display/adjustment module (PLICSCOM)

- X** Without
- A** Mounted



Length (from seal surface)
per 100 mm of 316L



Thank you for reading this data sheet.

For pricing or for further information, please contact us at our UK Office, using the details below.



UK Office

Keison Products,

P.O. Box 2124, Chelmsford, Essex, CM1 3UP, England.

Tel: +44 (0)330 088 0560

Fax: +44 (0)1245 808399

Email: sales@keison.co.uk

Please note - Product designs and specifications are subject to change without notice. The user is responsible for determining the suitability of this product.