



VEGACAP 27



Capacitive level switch for level detection

Application area

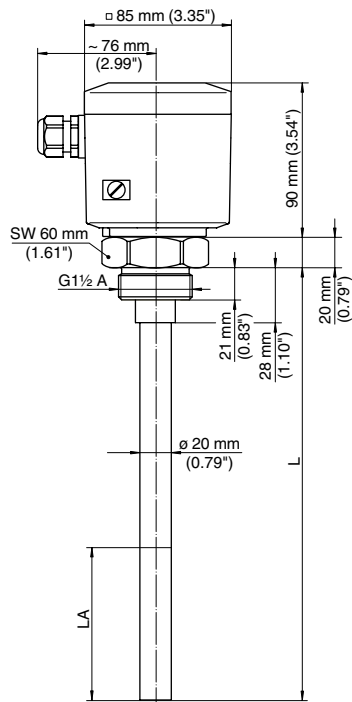
VEGACAP 27 is designed for use as overflow and dry run protection system in adhesive, conductive liquids with a dielectric figure from 1.5.

Advantages

- Precise switching point even with strong buildup
- Setup without adjustment with product
- Fully insulated and insensitive to adhesion
- Robust and maintenance-free
- Simple mounting and setup

Function

Sensor and vessel form the two electrodes of the capacitor. The level change causes a change in capacitance which is converted into a switching signal by the connected processing electronics. The configuration with active tip and screen element also opens up applications with very adhesive products.



LA Active length (50 ... 200 mm)



Approval

- Without
- Overfill protection according to WHG

Process fitting / Material

- GAV** Thread G1A/316Ti
- GBS** Thread G1½A/steel
- GBV** Thread G1½A/316Ti
- NBS** Thread 1½NPT/steel
- NBV** Thread 1½NPT/316Ti
- TBV** Tri-Clamp 1½"/316Ti
- TCV** Tri-Clamp 2"/316Ti
- RCV** Bolting DN50/316Ti

Material rod / Insulation

- ST** Steel/PTFE
- SF** Steel/PFA

Screening tube against condensation

- without

Adapter (from 100°C with temperature adapter)

- Without
- 2** Temperature up to 200°C/316Ti

Housing

- P** Plastic PBT / IP66/67
- M** Aluminium plastic coated / IP66/67

Electronics

- D** Relay (DPDT) 20...72VDC/20...250VAC(5A)



Total length L in mm

Steel/PTFE fully insulated (250-4000 mm) per 100 mm
 Steel/PFA fully insulated (250-4000 mm) per 100 mm



Thank you for reading this data sheet.

For pricing or for further information, please contact us at our UK Office, using the details below.



UK Office

Keison Products,

P.O. Box 2124, Chelmsford, Essex, CM1 3UP, England.

Tel: +44 (0)330 088 0560

Fax: +44 (0)1245 808399

Email: sales@keison.co.uk

Please note - Product designs and specifications are subject to change without notice. The user is responsible for determining the suitability of this product.