



VEGACAP 35



Capacitive level switch for level detection

Application area

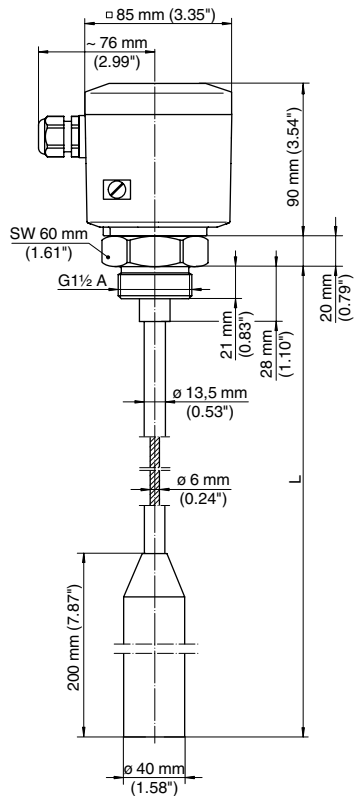
VEGACAP 35 is designed for use as overfill and dry run protection system in bulk solids with a dielectric figure from 1.5.

Advantages

- Precise switching point even with strong buildup or condensation
- Setup without adjustment with product
- Robust and maintenance-free
- Simple mounting and setup
- Probe can be shortened

Function

Sensor and vessel form the two electrodes of the capacitor. The level change causes a change in capacitance which is converted into a switching signal by the connected processing electronics. The configuration with active tip and screen element also opens up applications with very adhesive products.





Approval

- .X Without
- .A Overfill protection according to WHG

Process fitting / Material

- GBA Thread G1½A/aluminium
- GBS Thread G1½A/steel
- GBV Thread G1½A/1.4571(316Ti)
- NBS Thread 1½NPT/steel
- NBV Thread 1½NPT/1.4571(316Ti)

Material cable

- S Steel

Material insulation

- E PE/PA 12

Screening tube

- X without

Adapter

- X without

Gravity weight

- S Gravity weight 200mm/steel
- V Gravity weight 200mm/1.4571(316Ti)

Housing

- P Plastic PBT / IP66/67
- M Aluminium plastic coated / IP66/67

Electronics

- D Relay (DPDT) 20...72VDC/20...250VAC(5A)

CAP35									
-------	--	--	--	--	--	--	--	--	--

Cable length in mm

Steel/PE/PA12 fully insulated (400-20000 mm) per 1000 mm



Thank you for reading this data sheet.

For pricing or for further information, please contact us at our UK Office, using the details below.



UK Office

Keison Products,

P.O. Box 2124, Chelmsford, Essex, CM1 3UP, England.

Tel: +44 (0)330 088 0560

Fax: +44 (0)1245 808399

Email: sales@keison.co.uk

Please note - Product designs and specifications are subject to change without notice. The user is responsible for determining the suitability of this product.