



VEGACAP 64



Capacitive rod electrode for level detection

Application area

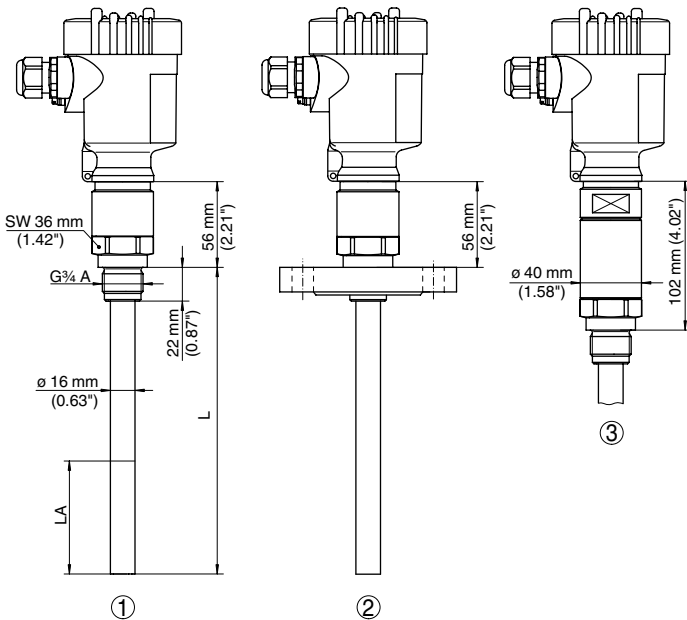
VEGACAP 64 is a level sensor for level detection in all areas of industry. Fully insulated probes such as VEGACAP 64 are preferably used in conductive liquids. It is particularly suitable for viscous and adhesive products.

Advantages

- Precise switching point with very adhesive products
- Service-proven, robust and maintenance-free
- High reliability
- Simple mounting and setup
- High resistance insulating material of FEP

Function

Sensor and vessel form the two electrodes of a capacitor. A level change causes a capacitance change which is converted into a switching signal by the connected processing electronics. The configuration with active tip and screen segment allows also applications with very adhesive products.



- 1 Threaded version
- 2 Flange version
- 3 Threaded version with temperature adapter 200 °C

LA Active length (50 ... 200 mm)



Approval

- XX** without
- XM** Ship approval
- XA** Overfill protection according to WHG
- CX** ATEX II 1G, 1/2G, 2G Ex ia IIC T6
- CA** ATEX II 1G, 1/2G, 2G Ex ia IIC T6 + WHG
- CM** ATEX II 1G, 1/2G, 2G Ex ia IIC T6 + Ship approval
- CI** Zone 0, 0/1, 1 Ex ia IIC T6

Version / Process temperature

- F** PTFE insulation / -50...150°C
- G** PTFE insulation / -50...200°C

Process fitting / Material

- GA** Thread G $\frac{3}{4}$ (DIN 3852-A) PN64 / 316L
- NA** Thread $\frac{3}{4}$ NPT (ASME B1.20.1) PN64 / 316L
- GC** Thread G1 (DIN 3852-A) PN64 / 316L
- NC** Thread 1NPT (ASME B1.20.1) PN64 / 316L
- GD** Thread G1 $\frac{1}{2}$ (DIN 3852-A) PN64 / 316L
- GS** Thread G1 $\frac{1}{2}$ (DIN 3852-A) PN64 / Steel
- ND** Thread 1 $\frac{1}{2}$ NPT (ASME B1.20.1) PN64 / 316L
- EF** Flange DN50PN40 Form C, DIN2501/316L
- KF** Flange DN80PN40 Form C, DIN2501/316L
- MF** Flange DN100PN16 Form C, DIN2501/316L
- HA** Flange 2"150lb RF, ANSI B16.5/316L
- OA** Flange 3"150lb RF, ANSI B16.5/316L
- SA** Flange 4"150lb RF, ANSI B16.5/316L

Electronics

- C** Contactless electronic switch 20...253VAC/DC
- R** Relay (DPDT) 20...72VDC/20...250VAC (3A)
- T** Transistor (NPN/PNP) 10...55VDC
- Z** Two-wire for connection to VEGATOR

Housing / Protection

- K** Plastic / IP66/IP67
- A** Aluminium / IP66/IP68 (0.2 bar)
- 8** StSt (electropolished) 316L / IP66/IP68 (0.2bar)

Cable entry / Cable gland / Plug connection

- M** M20x1.5 / with / without
- N** $\frac{1}{2}$ NPT / without / without

Additional equipment

- X** Without



Length (from seal surface)

316L/PTFE fully insulated (150-6000 mm) per 100 mm



Thank you for reading this data sheet.

For pricing or for further information, please contact us at our UK Office, using the details below.



UK Office

Keison Products,

P.O. Box 2124, Chelmsford, Essex, CM1 3UP, England.

Tel: +44 (0)330 088 0560

Fax: +44 (0)1245 808399

Email: sales@keison.co.uk

Please note - Product designs and specifications are subject to change without notice. The user is responsible for determining the suitability of this product.