



## VEGACAP 65



### Capacitive cable electrode for level detection

#### Application area

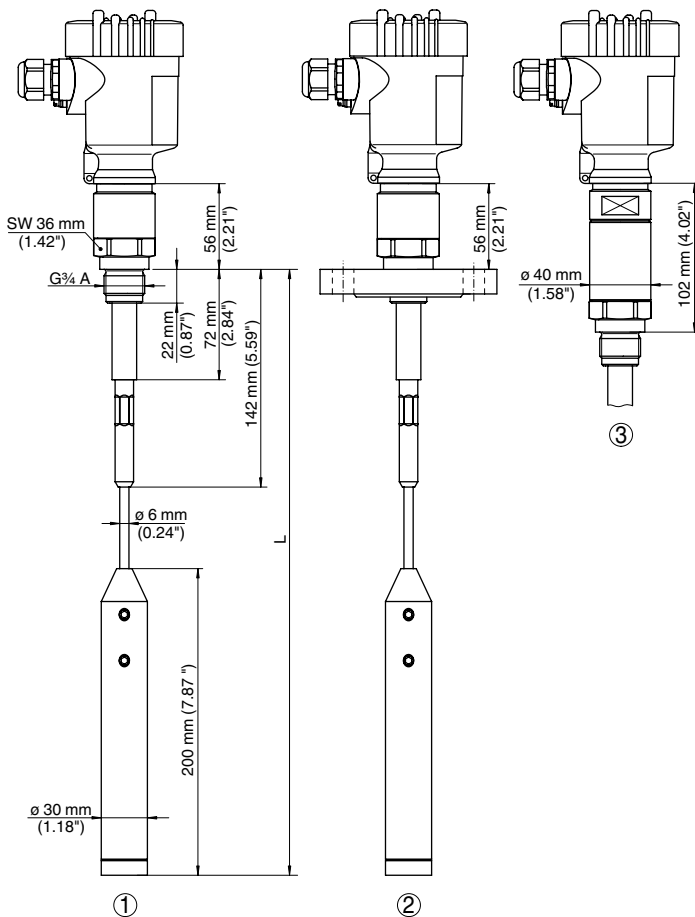
VEGACAP 65 is a level sensor for level detection in all areas of industry. Partly insulated probes such as VEGACAP 65 are preferably used in bulk solids, for example as overfill protection in bulk solids silos.

#### Advantages

- Service-proven, robust and maintenance-free
- High reliability
- Simple mounting and setup
- Probe can be shortened

#### Function

Sensor and vessel form the two electrodes of a capacitor. A level change causes a capacitance change which is converted into a switching signal by the connected processing electronics.



- 1 Threaded version
- 2 Flange version
- 3 Threaded version with temperature adapter 200 °C



### Approval

- XX** without .....
- XM** Ship approval .....
- XA** Overfill protection according to WHG .....
- CX** ATEX II 1G, 1/2G, 2G Ex ia IIC T6 .....
- CA** ATEX II 1G, 1/2G, 2G Ex ia IIC T6 + WHG .....
- CM** ATEX II 1G, 1/2G, 2G Ex ia IIC T6 + Ship approval .....
- CK** ATEX II 1, 1/2, 2G Ex ia IIC T6 + II 1/2, 2D Ex tD .....
- CI** Zone 0, 0/1, 1 Ex ia IIC T6 .....
- GX** ATEX II 1/2, 2D Ex tD A20/21, A21 IP66 T... .....

### Version / Process temperature

- K** Cable ø 6mm / 316 with gravity weight / -50...150°C .....
- U** Cable ø6mm with screening tube a. gr.weight/-50...150°C .....
- L** Cable ø 6mm / 316 with gravity weight / -50...200°C .....
- V** Cable ø6mm w.screening tube a. grav.weight/-50...200°C .....
- M** PA insul.steel cable ø12mm w.gravity weight/ -50...80°C .....

### Process fitting / Material

- GC** Thread G1 (DIN 3852-A) PN64 / 316L .....
- NC** Thread 1NPT (ASME B1.20.1) PN64 / 316L .....
- GD** Thread G1½ (DIN 3852-A) PN64 / 316L .....
- GS** Thread G1½ (DIN 3852-A) PN64 / Steel .....
- ND** Thread 1½NPT (ASME B1.20.1) PN64 / 316L .....
- EF** Flange DN50PN40 Form C,DIN2501/316L .....
- KF** Flange DN80PN40 Form C,DIN2501/316L .....
- MF** Flange DN100PN16 Form C,DIN2501/316L .....
- HA** Flange 2"150lb RF,ANSI B16.5/316L .....
- OA** Flange 3"150lb RF,ANSI B16.5/316L .....
- SA** Flange 4"150lb RF,ANSI B16.5/316L .....

### Electronics

- C** Contactless electronic switch 20...253VAC/DC .....
- R** Relay (DPDT) 20...72VDC/20...250VAC (3A) .....
- T** Transistor (NPN/PNP) 10...55VDC .....
- Z** Two-wire for connection to VEGATOR .....

### Housing / Protection

- K** Plastic / IP66/IP67 .....
- A** Aluminium / IP66/IP68 (0.2 bar) .....
- 8** StSt (electropolished) 316L / IP66/IP68 (0.2bar) .....

### Cable entry / Cable gland / Plug connection

- M** M20x1.5 / with / without .....
- N** ½NPT / without / without .....

### Additional equipment

- X** Without .....

CP65.									
-------	--	--	--	--	--	--	--	--	--

### Length (from seal surface)

316 (400-32000 mm) per 100 mm  
 Steel/PA fully insulated (400-32000 mm) per 100 mm

### Length screening tube

316L per 100 mm



Thank you for reading this data sheet.

For pricing or for further information, please contact us at our UK Office, using the details below.



**UK Office**

**Keison Products,**

**P.O. Box 2124, Chelmsford, Essex, CM1 3UP, England.**

**Tel: +44 (0)330 088 0560**

**Fax: +44 (0)1245 808399**

**Email: [sales@keison.co.uk](mailto:sales@keison.co.uk)**

Please note - Product designs and specifications are subject to change without notice. The user is responsible for determining the suitability of this product.