



VEGACAP 98



Adjustment-free, compact level switch for very adhesive products

Application area

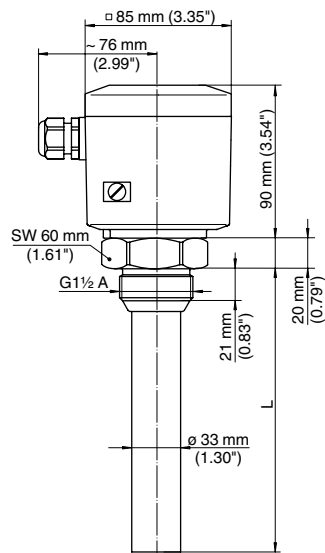
VEGACAP 98 is designed for use as overflow or dry run protection system in products with a dielectric figure from 1.5.

Advantages

- Exact switching point also with strong buildup or condensation
- Setup without adjustment with product
- Robust and maintenance-free
- Simple mounting
- Process fitting thread G1½ A of PP for unpressurised operation

Function

Sensor and vessel form the two electrodes of the capacitor. The level change causes a change in capacitance which is converted into a switching signal by the connected processing electronics. The configuration with active top and screen segment also opens up applications with very adhesive products.





Approval

- X** Without
- A** Overfill protection according to WHG

Housing / Protection

- P** Plastic PBT / IP66/67
- M** Aluminium plastic coated / IP66/67

Length

- X** Standard (200mm)
- Y** Special length

Electronics

- D** Relay (DPDT) 20...72VDC/20...250VAC(5A)

Application area

- S** Solids
- F** Liquid

CAP98

Electrode length in mm

PP (150-2000 mm) per 100 mm



Thank you for reading this data sheet.

For pricing or for further information, please contact us at our UK Office, using the details below.



UK Office

Keison Products,

P.O. Box 2124, Chelmsford, Essex, CM1 3UP, England.

Tel: +44 (0)330 088 0560

Fax: +44 (0)1245 808399

Email: sales@keison.co.uk

Please note - Product designs and specifications are subject to change without notice. The user is responsible for determining the suitability of this product.