



VEGADIF 65



Differential pressure transmitter with metal measuring diaphragm

Application area

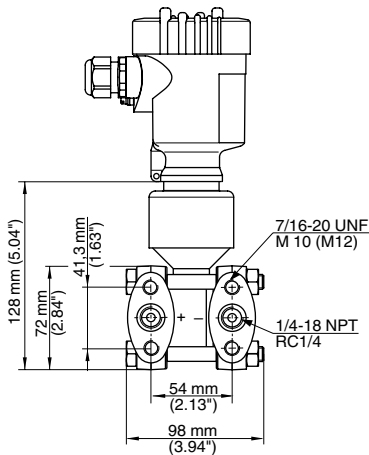
The differential pressure transmitter VEGADIF 65 is used for various applications such as flow measurements in gases, vapours and liquids in conjunction with effective pressure transmitters. Also level measurements of liquids in pressurized vessels as well as pressure monitorings on filters and pumps are typical applications.

Advantages

- Very good reproducibility and long-term stability
- Deviation < 0.075 %
- Comprehensive chemical seal program
- High resistance diaphragm materials
- Product temperature up to 400 °C

Function

The separating diaphragms of the sensor are deflected by the existing pressures. The filling oil transmits the pressure to a semiconductor measuring bridge, the differential pressure dependent output signal of which is measured and further processed. The advantages of this sensor are the high system pressure up to 420 bar, the excellent long-term stability and the very high, unilateral overload resistance.





Thank you for reading this data sheet.

For pricing or for further information, please contact us at our UK Office, using the details below.



UK Office

Keison Products,

P.O. Box 2124, Chelmsford, Essex, CM1 3UP, England.

Tel: +44 (0)330 088 0560

Fax: +44 (0)1245 808399

Email: sales@keison.co.uk

Please note - Product designs and specifications are subject to change without notice. The user is responsible for determining the suitability of this product.