



## VEGAFLEX 62



### TDR sensor for continuous level measurement

#### Application area

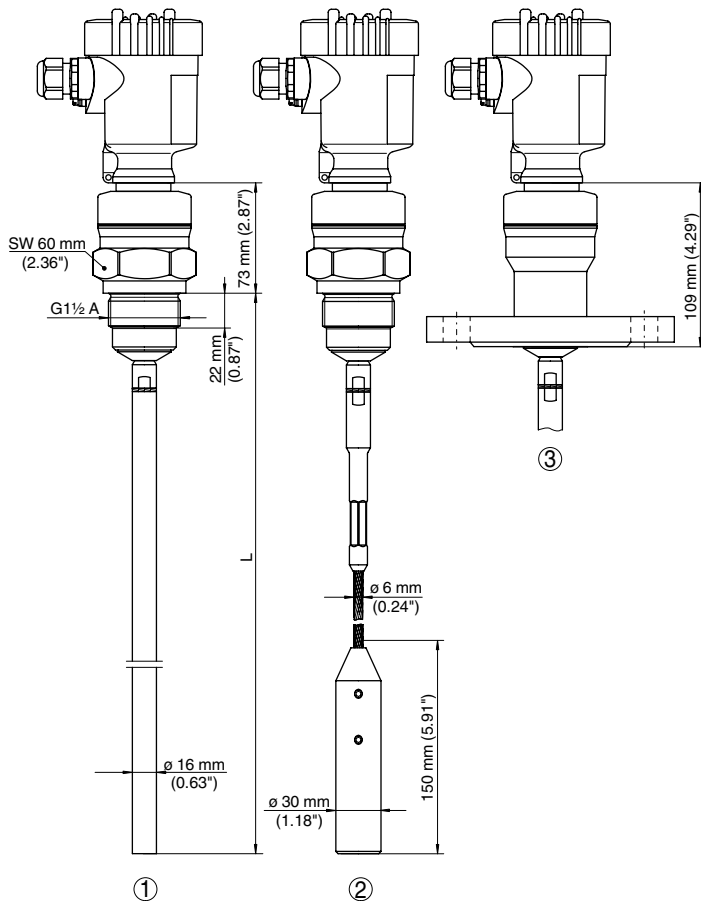
VEGAFLEX 62 is a level sensor for continuous level measurement. It is suitable for liquids and heavy bulk solids in practically all areas of industry. Typical applications are measurements of bulk solids in average-size to high silos. The sensor can be also used in liquids in storage vessels and bypass tubes.

#### Advantages

- Simple setup without adjustment
- Unaffected by product properties
- Insensitive against dust, vapour, buildup and condensation
- Wear and maintenance-free
- High measuring accuracy
- SIL qualified

#### Function

High frequency microwave pulses are coupled onto a cable or rod and guided along the probe. The pulses are reflected by the product surface. The time from emission to reception of the signals is proportional to the level in the vessel.



- 1 Rod version
- 2 Cable version
- 3 Flange version

**Approval**

- XX** without .....
- XM** Ship approval .....
- CX** ATEX II 1G, 1/2G, 2G Ex ia IIC T6 .....
- CA** ATEX II 1G, 1/2G, 2G Ex ia IIC T6 + WHG .....
- CM** ATEX II 1G, 1/2G, 2G Ex ia IIC T6 + Ship approval .....
- CI** IEC Ex ia IIC T6 .....
- DX** ATEX II 1/2G, 2G Ex d ia IIC T6 .....
- DI** IEC Ex d ia IIC T6 .....
- GX** ATEX II 1/2 D, 2D IP6X T .....

**Version / Material**

- A** Exchangeable cable ø 6mm w. gravity weight / 316 .....
- C** Exchangeable rod ø 16mm / 316L .....

**Process fitting / Material**

- GD** Thread G1½A (DIN 3852-A) PN40 / 316L .....
- ND** Thread 1½NPT (ASME B1.20.1) PN40 / 316L .....
- FC** Flange DN50PN40 Form C,DIN2501 / 316L .....
- FD** Flange DN80PN40 Form C,DIN2501 / 316L .....
- FE** Flange DN100PN16 Form C,DIN2501 / 316L .....
- AE** Flange 2"150lb RF,ANSI B16.5 / 316L .....
- AF** Flange 2"300lb RF,ANSI B16.5 / 316L .....

**Seal / Process temperature**

- 1** FKM (Viton) / -40...150°C .....
- 2** FFKM (Kalrez 6375) / -20 ... 150 °C .....
- 3** EPDM / -40...150°C .....

**Electronics**

- H** Two-wire 4...20mA/HART® .....
- V** Four-wire 4...20mA/HART® .....
- P** Profibus PA .....
- F** Foundation Fieldbus .....

**Housing / Protection**

- K** Plastic / IP66/IP67 .....
- A** Aluminium / IP66/IP68 (0.2bar) .....
- D** Aluminium double chamber / IP66/IP68 (0.2bar) .....
- 8** StSt (electropolished) 316L / IP66/IP68 (0.2bar) .....
- W** StSt double chamber / IP66/IP68 (0.2bar) .....
- R** Plastic double chamber / IP66/IP67 .....

**Cable entry / Cable gland / Plug connection**

- M** M20x1.5 / with / without .....
- N** ½NPT / without / without .....

**Indicating/adjustment module (PLICSCOM)**

- X** Without .....
- A** mounted .....

**Additional equipment**

- X** without .....



**Length (from seal surface)**

Cable ø6 mm/316 (1000-60000 mm) per 100 mm  
 Rod ø16 mm/316L (300-6000 mm) per 100 mm



Thank you for reading this data sheet.

For pricing or for further information, please contact us at our UK Office, using the details below.



**UK Office**

**Keison Products,**

**P.O. Box 2124, Chelmsford, Essex, CM1 3UP, England.**

**Tel: +44 (0)330 088 0560**

**Fax: +44 (0)1245 808399**

**Email: [sales@keison.co.uk](mailto:sales@keison.co.uk)**

Please note - Product designs and specifications are subject to change without notice. The user is responsible for determining the suitability of this product.