



VEGAFLEX 67



TDR sensor for continuous interface measurement

Application area

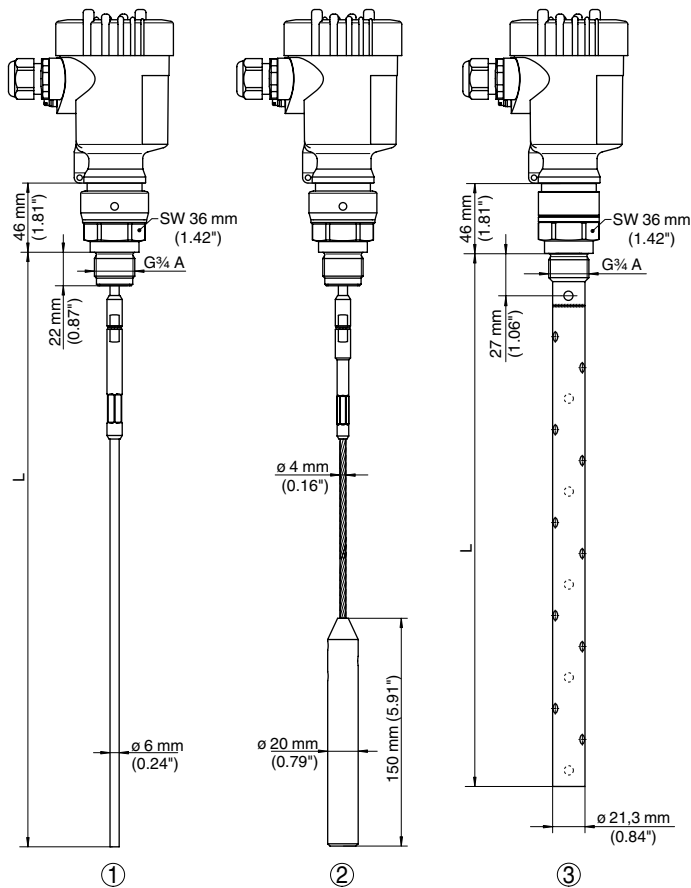
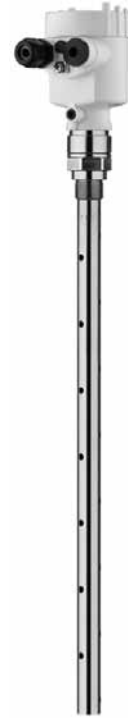
The VEGAFLEX 67 is a level sensor with rod or cable probe for continuous interface measurement in precipitators and separators.

Advantages

- Simple setup without adjustment
- Unaffected by product density
- Insensitive against vapour and condensation
- Wear and maintenance-free

Function

High frequency microwave pulses are coupled onto a cable or rod and guided along the probe. When reaching the product surface, a part of the microwave pulses is reflected. The other part passes through the upper product and is reflected a second time by the interface. The running times to the two product layers are evaluated by the instrument.



- 1 Rod version
- 2 Cable version
- 3 Coax version

Approval

- XX** without
- XM** Ship approval
- CX** ATEX II 1G, 1/2G, 2G Ex ia IIC T6
- CM** ATEX II 1G, 1/2G, 2G Ex ia IIC T6 + Ship approval
- CI** IEC Ex ia IIC T6
- DX** ATEX II 1/2G, 2G Ex d ia IIC T6
- DM** ATEX II 1/2G, 2G Ex d ia IIC T6 + Ship approval
- DI** IEC Ex d ia IIC T6

Version / Material

- S** Exchangeable cable ø4 mm w. gravity weight / 316
- C** Exchangeable rod ø6 mm / 316L
- A** Coax probe (with multiple boring) / 316L

Process fitting / Material

- GB** Thread G $\frac{3}{4}$ A (DIN 3852-A) PN40 / 316L
- NB** Thread $\frac{3}{4}$ NPT (ASME B1.20.1) PN40 / 316L
- GC** Thread G1A (DIN 3852-A) PN40 / 316L
- NC** Thread 1NPT (ASME B1.20.1) PN40 / 316L
- G2** Thread G1A (DIN 3852-A) PN100 / 316L
- N2** Thread 1NPT (ASME B1.20.1) PN100 / 316L
- GD** Thread G1 $\frac{1}{2}$ A (DIN 3852-A) PN40 / 316L
- ND** Thread 1 $\frac{1}{2}$ NPT (ASME B1.20.1) PN40 / 316L
- FA** Flange DN25PN40 Form C, DIN2501 / 316L
- FB** Flange DN40PN40 Form C, DIN2501 / 316L
- FC** Flange DN50PN40 Form C, DIN2501 / 316L
- 1C** Flange DN50PN40, DIN2501 / PTFE-plated
- FD** Flange DN80PN40 Form C, DIN2501 / 316L
- AA** Flange 1" 150lb RF, ANSI B16.5 / 316L
- AE** Flange 2" 150lb RF, ANSI B16.5 / 316L
- 3E** Flange 2" 150lb RF, ANSI B16.5 / PTFE-plated
- AI** Flange 3" 150lb RF, ANSI B16.5 / 316L

Seal / Process temperature

- 1** FKM (Viton) / -40...150°C
- 2** FFKM (Kalrez 6375) / -20 ... 150 °C
- 3** EPDM / -40...150°C
- A** FFKM (Kalrez 6375) / -20 ... 250 °C
- G** Graphite / -200 ... 400 °C

Electronics

- H** Two-wire 4...20mA/HART®
- V** Four wire 4...20mA/HART®
- P** Profibus PA
- F** Foundation Fieldbus

Housing / Protection

- K** Plastic / IP66/IP67
- A** Aluminium / IP66/IP68 (0.2bar)
- D** Aluminium double chamber / IP66/IP68 (0.2bar)
- 8** StSt (electropolished) 316L / IP66/IP68 (0.2bar)
- W** StSt double chamber / IP66/IP68 (0.2bar)
- R** Plastic double chamber / IP66/IP67

Cable entry / Cable gland / Plug connection

- M** M20x1.5 / with / without
- N** $\frac{1}{2}$ NPT / without / without

Indicating/adjustment module (PLICSCOM)

- X** Without
- A** mounted

Additional equipment

- X** without



Length (from seal surface)

- Rod ø6 mm/316L (500-4000 mm) per 100 mm
- Cable ø4 mm/316 (1000-32000 mm) per 100 mm
- Coax/316L (300-6000 mm) per 100 mm



Thank you for reading this data sheet.

For pricing or for further information, please contact us at our UK Office, using the details below.



UK Office

Keison Products,

P.O. Box 2124, Chelmsford, Essex, CM1 3UP, England.

Tel: +44 (0)330 088 0560

Fax: +44 (0)1245 808399

Email: sales@keison.co.uk

Please note - Product designs and specifications are subject to change without notice. The user is responsible for determining the suitability of this product.