

VEGAFLEX 82



TDR sensor for continuous level measurement of bulk solids

Application area

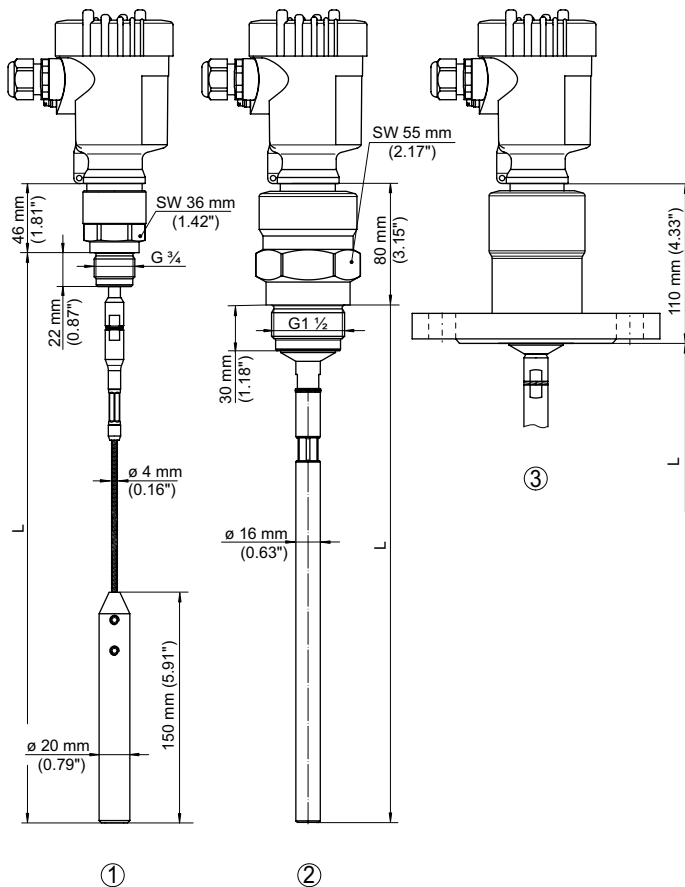
The VEGAFLEX 82 level sensor measures maintenance-free light and heavy-weight bulk solids. Even in applications with strong dust generation, condensation or buildup, the sensor delivers precise and reliable measured values. The VEGAFLEX 82 is an economical and reliable solution for your application.

Your benefit

- The factory setting simplifies the setup considerably
- The guided adjustment enables a simple, time-saving and reliable setup
- Shortenable probes offer a simple standardisation and highest flexibility in the planning

Technical data

Version:	exchangeable cable probe (ø 4 mm, ø 6 mm, ø 11 mm)
	exchangeable rod probe (ø 16 mm)
Measuring range:	cable probe up to 75 m rod probe up to 6 m
Process fitting:	thread from G $\frac{3}{4}$, $\frac{1}{2}$ NPT flanges from DN 25, 1"
Process temperature:	-40 ... +200 °C
Process pressure:	-1 ... +40 bar (-100 ... +4000 kPa)
Accuracy:	+/- 2 mm



- 1 Cable version
- 2 Rod version
- 3 Flange version



Thank you for reading this data sheet.

For pricing or for further information, please contact us at our UK Office, using the details below.



UK Office

Keison Products,

P.O. Box 2124, Chelmsford, Essex, CM1 3UP, England.

Tel: +44 (0)330 088 0560

Fax: +44 (0)1245 808399

Email: sales@keison.co.uk

Please note - Product designs and specifications are subject to change without notice. The user is responsible for determining the suitability of this product.