

VEGAFLEX 83



TDR sensor for continuous level and interface measurement of liquids

Application area

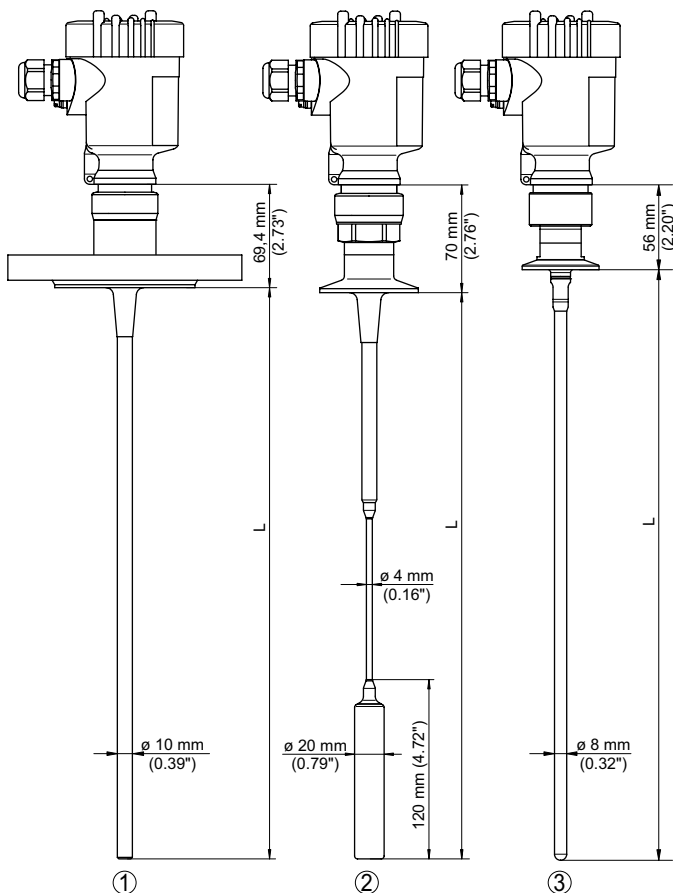
The VEGAFLEX 83 level sensor measures maintenance-free aggressive liquids or liquid media with highest hygienic requirements. Even in applications with vapour, buildup, foam generation and condensation, the sensor delivers precise and reliable measured values. The VEGAFLEX 83 is the economical and ideal solution for your application.

Your benefit

- The guided adjustment enables a simple, time-saving and reliable setup
- The gap-free hygienic design ensures simple and reliable cleanability
- The maintenance-free operation increases the plant efficiency

Technical data

Version:	cable probe (ø 4 mm) rod probe (ø 8 mm)
Measuring range:	cable probe up to 32 m rod probe up to 4 m
Process fitting:	flanges from DN 25, 1" hygienic fittings
Process temperature:	-40 ... +150 °C
Process pressure:	-1 ... +16 bar (-100 ... +1600 kPa)
Accuracy:	+/- 2 mm



- 1 Version / Material:
Rod ø 6 mm / PFA
- 2 Version / Material:
Cable ø 4 mm with gravity weight / PFA
- 3 Version / Material:
Exchangable rod ø 8 mm / 1.4435
(Basle Standard)



Thank you for reading this data sheet.

For pricing or for further information, please contact us at our UK Office, using the details below.



UK Office

Keison Products,

P.O. Box 2124, Chelmsford, Essex, CM1 3UP, England.

Tel: +44 (0)330 088 0560

Fax: +44 (0)1245 808399

Email: sales@keison.co.uk

Please note - Product designs and specifications are subject to change without notice. The user is responsible for determining the suitability of this product.