

VEGAFLEX 86



TDR sensor for continuous level and interface measurement of liquids

Application area

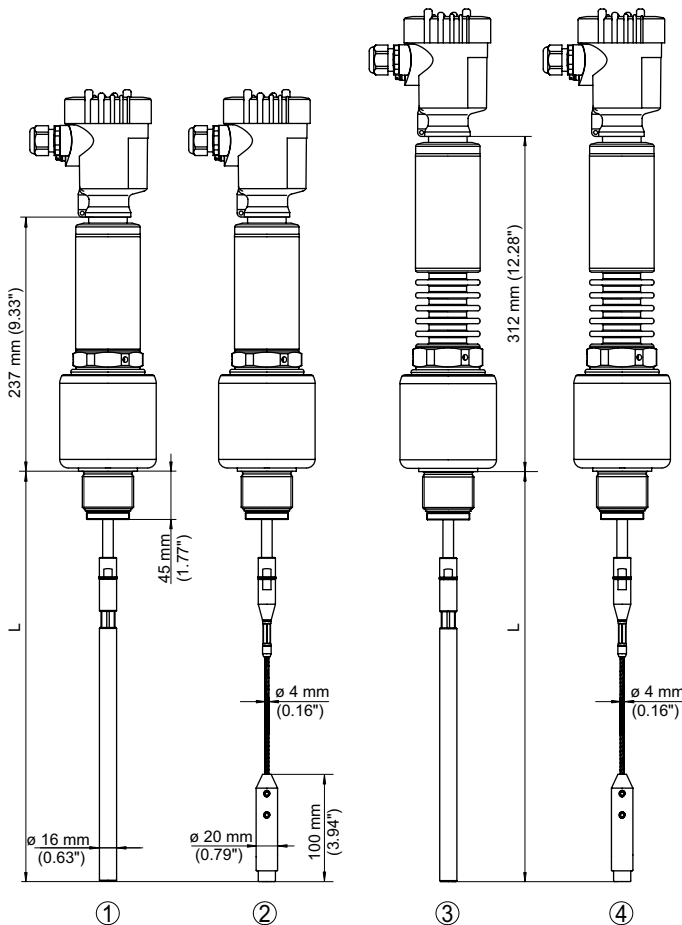
The VEGAFLEX 86 level sensor measures maintenance-free all liquids under extreme pressure and temperature conditions. Even in applications with buildup, foam generation and condensation, the sensor delivers precise and reliable measured values. In saturated steam applications, a special reference probe ensures a density-independent measurement. The VEGAFLEX 86 offers an economical level and interface measurement for your application.

Your benefit

- The guided adjustment enables a simple, time-saving and reliable setup
- Comprehensive diagnostic possibilities ensure a maintenance-free operation and hence a high plant availability
- The maintenance-free operation increases the plant efficiency

Technical data

Version:	exchangeable cable probe (ø 2 mm, ø 4 mm) exchangeable rod probe (ø 16 mm) coax probe (ø 42 mm)
Measuring range:	cable probe up to 75 m rod probe up to 6 m coax probe up to 6 m
Process fitting:	thread from G1½, 1½ NPT flanges from DN 50, 2"
Process temperature:	-196 ... +450 °C
Process pressure:	-1 ... +400 bar (-100 ... +40000 kPa)
Accuracy:	+/- 2 mm



- 1 Version --196 ... +280 °C – rod
- 2 Version --196 ... +280 °C – cable
- 3 Version --196 ... +450 °C – rod
- 4 Version --196 ... +450 °C – cable

Approval directive / Scope

- A ATEX / Europe
- I IEC / World-wide

Approval

- X without
- M Ship approval (GL; LRS; ABS)
- W Overfill protection (WHG; VLAREM)
- C ATEX II 1G, 1/2G, 2G Ex ia IIC T6
- D ATEX II 1/2G, 2G Ex d ia IIC T6
- E ATEX II 1/2G, 2G Ex d IIC T6
- R ATEX II 1D, 1/2D, 2D IP6x T
- C IEC Ex ia IIC T6
- D IEC Ex d ia IIC T6
- E IEC Ex d IIC T6
- R IEC IP6x T tD

Version / Material

- A Exchangeable cable \varnothing 4 mm w. gravity weight / 316
- H Exchangeable rod \varnothing 16 mm / 316L
- P Coax version \varnothing 42.2 mm w. multiple hole / 316L
- 4 Coax version \varnothing 42.2 mm; multl.hole; ref.distances / 316L

Process fitting / Material

- TN Thread G1½ (DIN 3852-A) PN400 / 316L
- TO Thread 1½NPT (ASME B1.20.1) PN400 / 316L
- DD Flange DN50PN40 Form C, DIN2501 / 316L
- DF Flange DN80PN40 Form C, DIN2501 / 316L
- DJ Flange DN100PN40 Form C, DIN2501 / 316L
- HA Flange DN50PN40 EN1092-1 Form B1 / 316L
- AB Flange 2" 150lb RF, ANSI B16.5 / 316L
- AL Flange 2" 600lb RF, ANSI B16.5 / 316L
- AF Flange 3" 300lb RF, ANSI B16.5 / 316L
- AM Flange 3" 600lb RF, ANSI B16.5 / 316L

Seal / Second line of defense / Process temperature

- 1 Ceramic-graphite / with / -196 ... 280 ° C
- 2 Ceramic graphite with / -196...400°C
- 2 Ceramic-graphite / with / -196 ... 450 ° C

Electronics

- H Two-wire 4...20mA/HART®
- A Two-wire 4...20mA/HART® with SIL qualification
- B Four-wire 4...20mA/HART®; 90...253V AC; 50/60Hz
- I Four-wire 4...20mA/HART®; 9.6...48V DC; 20...42V AC
- P Profibus PA
- F Foundation Fieldbus

Supplementary electronics

- X without
- F PLICSMOBILE

Housing / Protection

- K Plastic / IP66/IP67
- A Aluminium / IP66/IP68 (0.2 bar)
- D Aluminium double chamber / IP66/IP68 (0.2 bar)
- 8 StSt (electropolished) 316L / IP66/IP68 (0.2bar)
- W StSt double chamber / IP66/IP68 (0.2bar)
- R Plastic 2-chamber / IP66/IP67

Cable entry / Connection

- M M20x1.5 / Cable gland PA black
- N ½NPT / Blind stopper

Indicating/adjustment module PLICSCOM

- X without
- A Mounted

Certificates

- M yes (e.g. FDA; EN 10204-3.1; NACE)
- X no

FX86.																
-------	--	--	--	--	--	--	--	--	--	--	--	--	--	--	--	--

Probe length

- Cable \varnothing 4 mm / 316 (500-60000 mm) per 100 mm
- Rod \varnothing 16 mm/316L (300-4000 mm) per 100 mm
- Coax \varnothing 42.2mm/316L (300-6000 mm) per 100 mm



Thank you for reading this data sheet.

For pricing or for further information, please contact us at our UK Office, using the details below.



UK Office

Keison Products,

P.O. Box 2124, Chelmsford, Essex, CM1 3UP, England.

Tel: +44 (0)330 088 0560

Fax: +44 (0)1245 808399

Email: sales@keison.co.uk

Please note - Product designs and specifications are subject to change without notice. The user is responsible for determining the suitability of this product.