



## VEGAMIP R61



Microwave receiver for level detection in bulk solids and liquids

### Application area

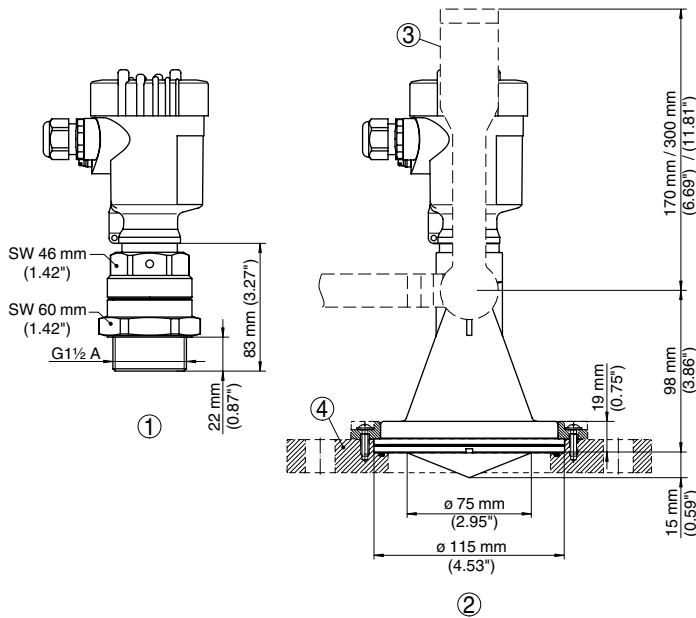
The microwave receiver VEGAMIP R61 is mainly used in bulk solids applications. The non-contact measuring principle is particularly suitable for harsh operating conditions in mineral ore mining, coal and ore processing. The microwave barrier can be also used for object monitoring similar to a light barrier.

### Advantages

- Non-contact measurement
- Insensitive to contamination
- Unaffected by changing product properties
- Wear and maintenance-free
- Measurement with plastic vessels through the vessel wall
- Simple adjustment

### Function

The measuring system consists of a microwave receiver VEGAMIP R61 and the respective emitter. The emitted signal of the microwave emitter is focused by an antenna system and emitted in the direction of the receiver. A medium in the path of rays damps this signal. This signal damping is determined by VEGAMIP R61 and converted into a switching signal.



- 1 Version with thread G1½ A
- 2 Version with plastic horn antenna
- 3 Mounting strap
- 4 Adapter flange





Thank you for reading this data sheet.

For pricing or for further information, please contact us at our UK Office, using the details below.



**UK Office**

**Keison Products,**

**P.O. Box 2124, Chelmsford, Essex, CM1 3UP, England.**

**Tel: +44 (0)330 088 0560**

**Fax: +44 (0)1245 808399**

**Email: [sales@keison.co.uk](mailto:sales@keison.co.uk)**

Please note - Product designs and specifications are subject to change without notice. The user is responsible for determining the suitability of this product.