



VEGAMIP T61



Microwave emitter for level detection in bulk solids and liquids

Application area

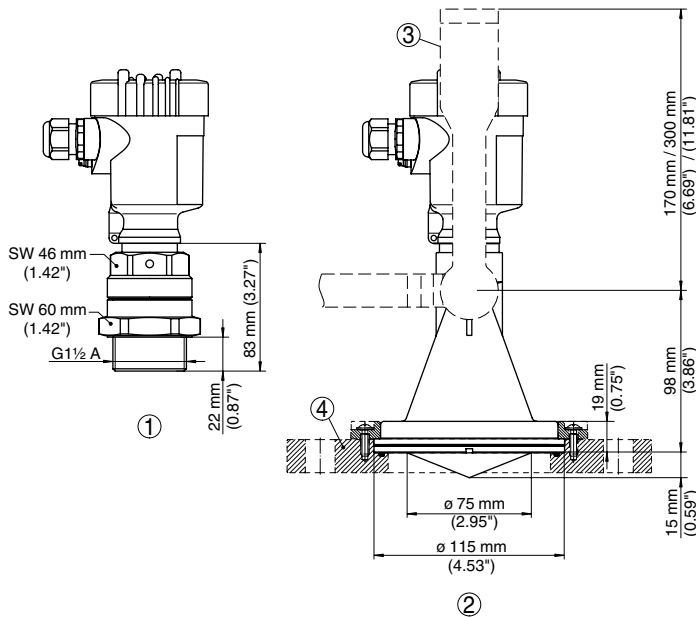
The microwave emitter VEGAMIP T61 is mainly used in bulk solids applications. The non-contact measuring principle is particularly suitable for harsh operating conditions in mineral ore mining, coal and ore processing. The microwave barrier can be also used for object monitoring similar to a light barrier.

Advantages

- Non-contact measurement
- Insensitive to contamination
- Unaffected by changing product properties
- Wear and maintenance-free
- Measurement with plastic vessels through the vessel wall
- Simple adjustment

Function

The measuring system consists of a microwave emitter and the respective receiver. The emitted signal of the microwave emitter VEGAMIP T61 is focused by an antenna system and emitted in the direction of the receiver. A medium in the path of rays damps this signal. This signal damping is determined by the receiver and converted into a switching signal.



- 1 Version with thread G1½ A
- 2 Version with plastic horn antenna
- 3 Mounting strap
- 4 Adapter flange



Thank you for reading this data sheet.

For pricing or for further information, please contact us at our UK Office, using the details below.



UK Office

Keison Products,

P.O. Box 2124, Chelmsford, Essex, CM1 3UP, England.

Tel: +44 (0)330 088 0560

Fax: +44 (0)1245 808399

Email: sales@keison.co.uk

Please note - Product designs and specifications are subject to change without notice. The user is responsible for determining the suitability of this product.