

## VEGAPULS 61



### Radar sensor for continuous level measurement

#### Application area

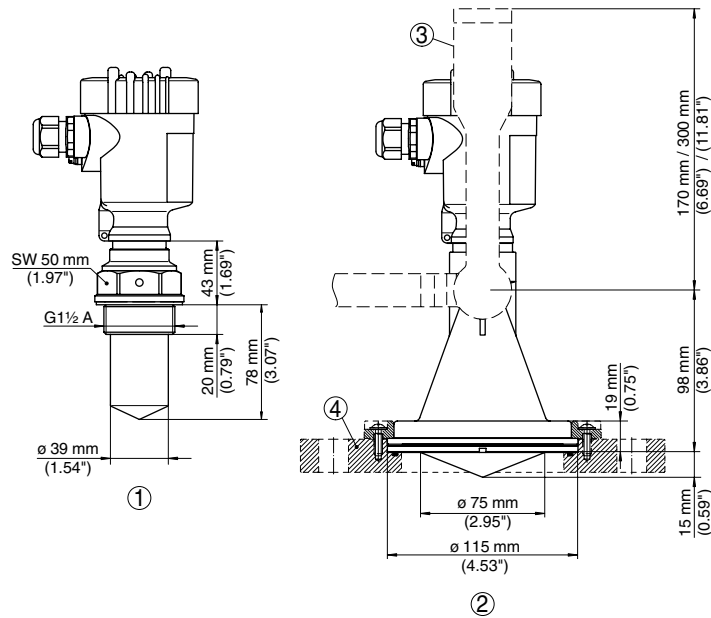
VEGAPULS 61 is suitable for applications in liquids in vessels under easy process conditions. The application possibilities can be found in virtually all industries.

#### Advantages

- Non-contact measurement
- Simple mounting
- Wear and maintenance-free
- Unaffected by pressure, temperature, gas and vapour
- High measuring accuracy
- SIL qualified

#### Function

Extremely short microwave pulses are emitted via the antenna system to the measured product, reflected by the product surface and received again by the antenna system. The time from emission to reception of the signals is proportional to the level. A special evaluation procedure ensures a reliable and precise measurement.



- 1 Version with encapsulated antenna system
- 2 Version with plastic horn antenna
- 3 Mounting strap
- 4 Adapter flange

You will find further process fittings and options under [www.vega.com/configurator](http://www.vega.com/configurator)  
 You will find further drawings and tables under [www.vega.com/downloads](http://www.vega.com/downloads)  
 You will find mounting accessory and welded sockets in chapter "Accessory"





Thank you for reading this data sheet.

For pricing or for further information, please contact us at our UK Office, using the details below.



**UK Office**

**Keison Products,**

**P.O. Box 2124, Chelmsford, Essex, CM1 3UP, England.**

**Tel: +44 (0)330 088 0560**

**Fax: +44 (0)1245 808399**

**Email: [sales@keison.co.uk](mailto:sales@keison.co.uk)**

Please note - Product designs and specifications are subject to change without notice. The user is responsible for determining the suitability of this product.