

VEGAPULS 62



Radar sensor for continuous level measurement

Application area

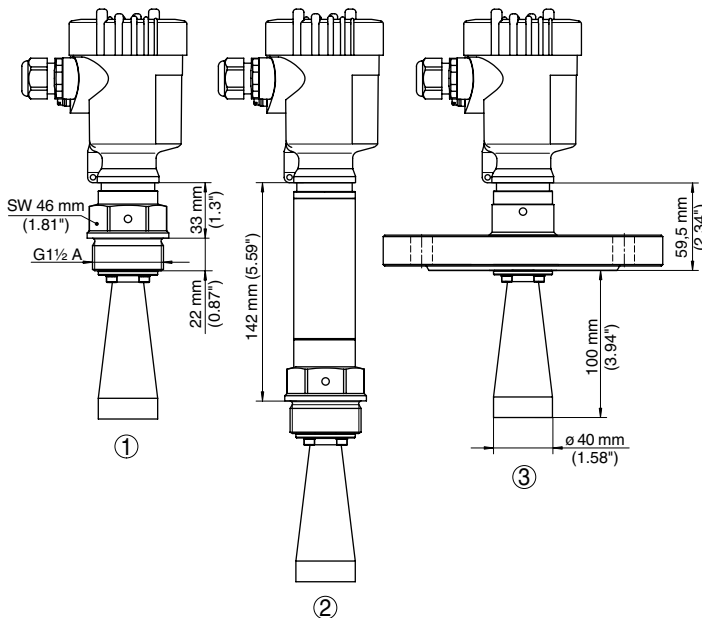
VEGAPULS 62 is suitable for applications in liquids in storage tanks or process vessels under arduous process conditions. Application possibilities are in the chemical industry, environment and recycling as well as in the petrochemical industry.

Advantages

- Non-contact measurement
- Simple mounting
- Wear and maintenance-free
- Unaffected by pressure, temperature, gas and vapour
- High measuring accuracy
- SIL qualified

Function

Extremely short microwave pulses are emitted via the antenna system to the measured product, reflected by the product surface and received again by the antenna system. The time from emission to reception of the signals is proportional to the level. A special evaluation procedure ensures a reliable and precise measurement.



- 1 Threaded version
- 2 Threaded version with temperature adapter up to +250 °C
- 3 Flange version

Antenna-Ø	Length	Beam angle
40 mm	100 mm	20°
48 mm	120 mm	15°
75 mm	216 mm	10°
95 mm	430 mm	8°
245 mm (parabolic)	138 mm	3°

You will find further process fittings and options under www.vega.com/configurator
 You will find further drawings and tables under www.vega.com/downloads
 You will find mounting accessory and welded sockets in chapter "Accessory"

Approval

- XX without
- XM Ship approval
- CX ATEX II 1G, 1/2G, 2G Ex ia IIC T6
- CA ATEX II 1G, 1/2G, 2G Ex ia IIC T6 + WHG
- CM ATEX II 1G, 1/2G, 2G Ex ia IIC T6 + Ship approval
- CI IEC Ex ia IIC T6
- DX ATEX II 1/2G, 2G Ex d ia IIC T5/T6
- DI IEC Ex d ia IIC T6

Version / Material

- B with horn antenna \varnothing 40 mm / 316L
- C with horn antenna \varnothing 48 mm / 316L
- D with horn antenna \varnothing 75 mm / 316L
- E with horn antenna \varnothing 95 mm / 316L
- K with parabolic antenna \varnothing 245mm / 316L
- F with 1/2"-standpipe / 316L

Process fitting / Material

- GA Thread G $\frac{3}{4}$ "A (DIN 3852-A) PN40 / 316L
- NA Thread $\frac{3}{4}$ "NPT (ASME B1.20.1) PN40 / 316L
- GD Thread G1 $\frac{1}{2}$ "A (DIN 3852-A) PN40 / 316L
- ND Thread 1 $\frac{1}{2}$ "NPT (ASME B1.20.1) PN40 / 316L
- GB Thread G1 $\frac{1}{2}$ "A (DIN 3852-A) PN100 / 316L
- NB Thread 1 $\frac{1}{2}$ "NPT (ASME B1.20.1) PN100 / 316L
- FC Flange DN50PN40 Form C, DIN2501 / 316L
- FD Flange DN80PN40 Form C, DIN2501 / 316L
- FE Flange DN100PN16 Form C, DIN2501 / 316L
- FK Flange DN150PN16 Form C, DIN2501 / 316L
- AE Flange 2" 150lb RF, ANSI B16.5 / 316L
- AI Flange 3" 150lb RF, ANSI B16.5 / 316L
- AK Flange 4" 150lb RF, ANSI B16.5 / 316L
- AM Flange 6" 150lb RF, ANSI B16.5 / 316L

Seal / Process temperature

- 2 FKM (Viton) and PTFE / -40...130°C
- 3 FFKM (Kalrez 6375) and PTFE / -20...130°C
- F FFKM (Kalrez 6375) and PEEK / -20...250°C
- H Graphite and ceramic / -200...450°C

Electronics

- H Two-wire 4...20mA/HART®
- B Four-wire 4...20mA/HART®; 90...253V AC; 50/60Hz
- P Profibus PA
- F Foundation Fieldbus

Housing / Protection

- K Plastic / IP 66/IP 67
- A Aluminium / IP66/IP68 (0.2 bar)
- D Aluminium double chamber / IP66/IP68 (0.2 bar)
- 8 StSt (electropolished) 316L / IP66/IP68 (0.2 bar)
- W StSt double chamber / IP66/IP68 (0.2 bar)
- R Plastic double chamber / IP66/IP67

Cable entry / Cable gland / Plug connection

- M M20x1.5 / with / without
- N 1/2"NPT / without / without

Ind./adj.module PLICSCOM / Radio module PLICSMOBILE

- X without / without
- G without / mounted
- A mounted / without
- D mounted / mounted

Additional equipment

- X without

PS62.									
-------	--	--	--	--	--	--	--	--	--

Length standpipe / Total length

316L (200-5850 mm) per 100 mm



Thank you for reading this data sheet.

For pricing or for further information, please contact us at our UK Office, using the details below.



UK Office

Keison Products,

P.O. Box 2124, Chelmsford, Essex, CM1 3UP, England.

Tel: +44 (0)330 088 0560

Fax: +44 (0)1245 808399

Email: sales@keison.co.uk

Please note - Product designs and specifications are subject to change without notice. The user is responsible for determining the suitability of this product.