



VEGAPULS 63



Radar sensor for continuous level measurement of liquids

Application area

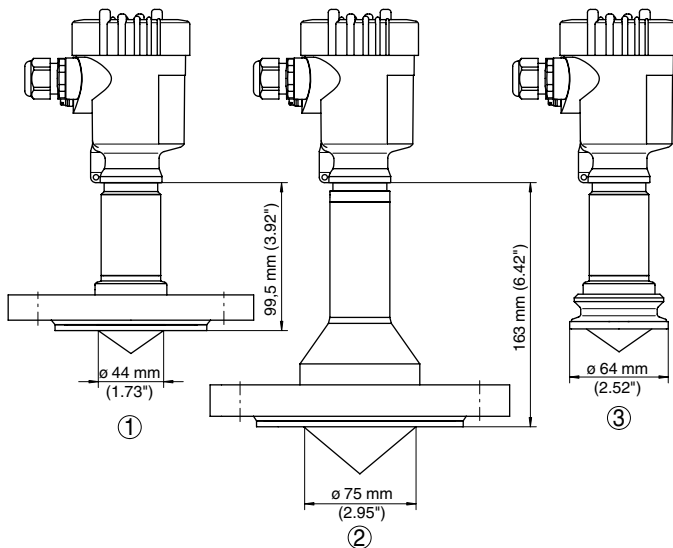
VEGAPULS 63 is suitable for measurement of very aggressive liquids or under special hygienic process conditions. Application possibilities are in the chemical as well as in the food processing and pharmaceutical industry.

Advantages

- Non-contact measurement
- Front-flush installation
- Simple mounting
- Wear and maintenance-free
- Unaffected by pressure, temperature, gas and vapour
- High measuring accuracy
- SIL qualified

Function

Extremely short microwave pulses are emitted via the antenna system to the measured product, reflected by the product surface and received again by the antenna system. The time from emission to reception of the signals is proportional to the level. A special evaluation procedure ensures a reliable and precise measurement.



- 1 Flange version DN 50
- 2 Flange version DN 80
- 3 Tri-Clamp version 2"

You will find further process fittings and options under www.vega.com/configurator
You will find further drawings and tables under www.vega.com/downloads
You will find mounting accessory and welded sockets in chapter "Accessory"



Approval

- XX without
- XM Ship approval
- CX ATEX II 1G, 1/2G, 2G Ex ia IIC T6
- CA ATEX II 1G, 1/2G, 2G Ex ia IIC T6 + WHG
- CM ATEX II 1G, 1/2G, 2G Ex ia IIC T6 + Ship approval
- CI IEC Ex ia IIC T6
- DX ATEX II 1/2G, 2G Ex d ia IIC T5/T6
- DI IEC Ex d ia IIC T6

Version / Material / Process temperature

- N with encapsulated horn antenna / TFM-PTFE / -40...200°C
- V hyg.encaps.horn ant. / TFM-PTFE+Viton / -25...130°C
- E hyg.encaps.horn ant. / TFM-PTFE+EPDM / -40...130°C

Process fitting / Material

- CA Tri-Clamp 2" / 316L
- CB Tri-Clamp 3" / 316L
- CC Tri-Clamp 4" / 316L
- RA Bolting DN50 PN16, DIN 11851 / 316L
- RB Bolting DN80 PN16, DIN 11851 / 316L
- LB Hyg.fitting w. tension flange DN32PN16 / 316L
- LA Hyg.fitting w. compression nut F40 PN16 / 316L
- TB Tuchenhausen Varivent DN25... PN10 / 316L
- QB Neumo Biocontrol sz. 50 PN16 / 316L
- FC Flange DN50PN40 Form C, DIN2501 / 316L
- FD Flange DN80PN40 Form C, DIN2501 / 316L
- FE Flange DN100PN16 Form C, DIN2501 / 316L
- FK Flange DN150PN16 Form C, DIN2501 / 316L
- FM Flange DN150PN40 Form C, DIN2501 / 316L
- AE Flange 2" 150lb RF, ANSI B16.5 / 316L
- AI Flange 3" 150lb RF, ANSI B16.5 / 316L
- AK Flange 4" 150lb RF, ANSI B16.5 / 316L
- AM Flange 6" 150lb RF, ANSI B16.5 / 316L

Electronics

- H Two-wire 4...20mA/HART®
- B Four-wire 4...20mA/HART®; 90...253V AC; 50/60Hz
- P Profibus PA
- F Foundation Fieldbus

Housing / Protection

- K Plastic / IP 66/IP 67
- A Aluminium / IP66/IP68 (0.2 bar)
- D Aluminium double chamber / IP66/IP68 (0.2 bar)
- 8 StSt (electropolished) 316L / IP66/IP68 (0.2 bar)
- W StSt double chamber / IP66/IP68 (0.2 bar)
- R Plastic double chamber / IP66/IP67

Cable entry / Cable gland / Plug connection

- M M20x1.5 / with / without
- N ½NPT / without / without

Ind./adj.module (PLICSCOM) / Radio module PLICSMOBILE

- X without / without
- G without / mounted
- A mounted / without
- D mounted / mounted

Additional equipment

- X without

PS63.										
-------	--	--	--	--	--	--	--	--	--	--



Thank you for reading this data sheet.

For pricing or for further information, please contact us at our UK Office, using the details below.



UK Office

Keison Products,

P.O. Box 2124, Chelmsford, Essex, CM1 3UP, England.

Tel: +44 (0)330 088 0560

Fax: +44 (0)1245 808399

Email: sales@keison.co.uk

Please note - Product designs and specifications are subject to change without notice. The user is responsible for determining the suitability of this product.