



VEGAPULS 65



Radar sensor for continuous level measurement of liquids

Application area

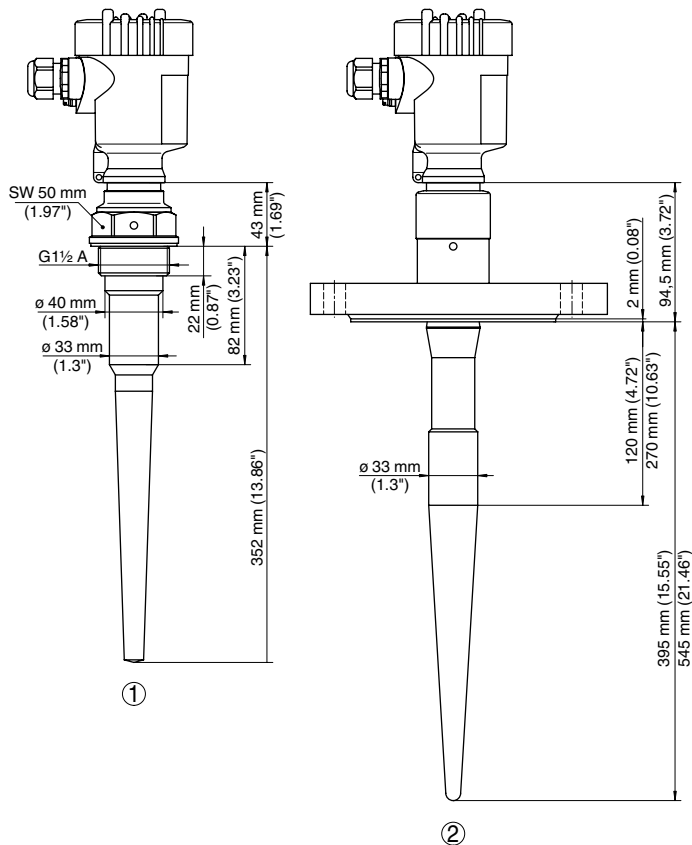
VEGAPULS 65 is suitable for measurement of liquids in smaller vessels under ordinary process conditions. Application possibilities in virtually all areas of industry.

Advantages

- Non-contact measurement
- Simple mounting
- Wear and maintenance-free
- Unaffected by pressure, temperature, gas and vapour
- High measuring accuracy
- SIL qualified

Function

Extremely short microwave pulses are emitted via the antenna system to the measured product, reflected by the product surface and received again by the antenna system. The time from emission to reception of the signals is proportional to the level. A special evaluation procedure ensures a reliable and precise measurement.



- 1 Threaded version G1½ A
- 2 Flange version DN 80

You will find further process fittings and options under www.vega.com/configurator
You will find further drawings and tables under www.vega.com/downloads
You will find mounting accessory and welded sockets in chapter "Accessory"



Thank you for reading this data sheet.

For pricing or for further information, please contact us at our UK Office, using the details below.



UK Office

Keison Products,

P.O. Box 2124, Chelmsford, Essex, CM1 3UP, England.

Tel: +44 (0)330 088 0560

Fax: +44 (0)1245 808399

Email: sales@keison.co.uk

Please note - Product designs and specifications are subject to change without notice. The user is responsible for determining the suitability of this product.