

## VEGAPULS 66



Radar sensor for continuous level measurement of liquids

### Application area

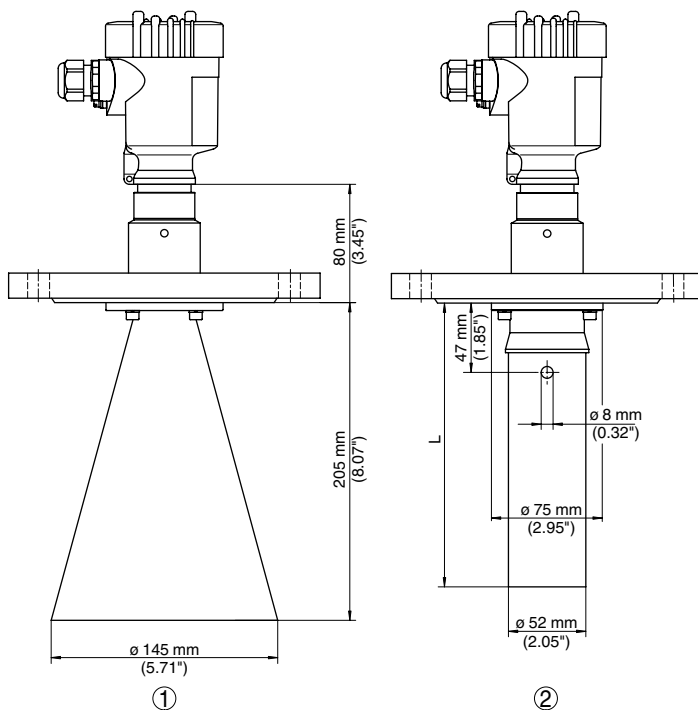
VEGAPULS 66 is suitable for measurement of liquids or under difficult and extreme process conditions. Application possibilities are in the chemical industry, environment and recycling as well as in the petrochemical industry.

### Advantages

- Non-contact measurement with high pressures and temperatures
- Simple mounting
- Wear and maintenance-free
- Unaffected by pressure, temperature, gas and vapour
- High measuring accuracy
- SIL qualified

### Function

Extremely short microwave pulses are emitted via the antenna system to the measured product, reflected by the product surface and received again by the antenna system. The time from emission to reception of the signals is proportional to the level. A special evaluation procedure ensures a reliable and precise measurement.



- 1 Version with horn antenna  $\varnothing$  145 mm
- 2 Version with standpipe antenna

Antenna- $\varnothing$	Length	Beam angle
75 mm	68 mm	38°
96 mm	113 mm	30°
145 mm	205 mm	20°
195 mm	296 mm	17°
240 mm	380 mm	14°

You will find further process fittings and options under [www.vega.com/configurator](http://www.vega.com/configurator)  
 You will find further drawings and tables under [www.vega.com/downloads](http://www.vega.com/downloads)  
 You will find mounting accessory and welded sockets in chapter "Accessory"



### Approval

- XX** without .....
- XM** Ship approval .....
- CX** ATEX II 1G, 1/2G, 2G Ex ia IIC T6 .....
- CA** ATEX II 1G, 1/2G, 2G Ex ia IIC T6 + WHG .....
- CM** ATEX II 1G, 1/2G, 2G Ex ia IIC T6 + Ship approval .....
- CI** IEC Ex ia IIC T6 .....
- DX** ATEX II 1/2G, 2G Ex d ia IIC T5/T6 .....
- DI** IEC Ex d ia IIC T6 .....

### Version / Material

- A** without horn antenna for standpipe .....
- D** with horn antenna ø75 mm / 316L .....
- E** with horn antenna ø96 mm / 316L .....
- H** with horn antenna ø145 mm/316L .....
- I** with horn antenna ø195 mm / 316L .....
- J** with horn antenna ø 240 mm / 316L .....
- F** with standpipe ø50 mm / 316L .....

### Process fitting / Material

- FC** Flange DN50PN40 Form C, DIN2501 / 316L .....
- FD** Flange DN80PN40 Form C, DIN2501 / 316L .....
- FE** Flange DN100PN16 Form C, DIN2501 / 316L .....
- FK** Flange DN150PN16 Form C, DIN2501 / 316L .....
- FL** Flange DN200PN16 Form C, DIN2501 / 316L .....
- FI** Flange DN250PN16 Form C, DIN2501 / 316L .....
- AE** Flange 2" 150lb RF, ANSI B16.5 / 316L .....
- AI** Flange 3" 150lb RF, ANSI B16.5 / 316L .....
- AK** Flange 4" 150lb RF, ANSI B16.5 / 316L .....
- AM** Flange 6" 150lb RF, ANSI B16.5 / 316L .....
- AN** Flange 8" 150lb RF, ANSI B16.5 / 316L .....
- AP** Flange 10" 150lb RF, ANSI B16.5 / 316L .....
- LP** Flange 10" 150lb RJF, ANSI B16.5 / 316L .....

### Seal / Process temperature

- 2** FKM (Viton) / -40...150°C .....
- 3** FFKM (Kalrez 6375) / -20 ... 150 °C .....
- G** Graphite and ceramic / -60...250°C .....
- H** Graphite and ceramic /-60...400°C .....

### Electronics

- H** Two-wire 4...20mA/HART® .....
- B** Four-wire 4...20mA/HART®; 90...253V AC; 50/60Hz .....
- P** Profibus PA .....
- F** Foundation Fieldbus .....

### Housing / Protection

- K** Plastic / IP 66/IP 67 .....
- A** Aluminium / IP66/IP68 (0.2 bar) .....
- D** Aluminium double chamber / IP66/IP68 (0.2 bar) .....
- 8** StSt (electropolished) 316L / IP66/IP68 (0.2 bar) .....
- W** StSt double chamber / IP66/IP68 (0.2 bar) .....
- R** Plastic double chamber / IP66/IP67 .....

### Cable entry / Cable gland / Plug connection

- M** M20x1.5 / with / without .....
- N** ½NPT / without / without .....

### Ind./adj.module PLICSCOM / Radio module PLICSMOBILE

- X** without / without .....
- G** without / mounted .....
- A** mounted / without .....
- D** mounted / mounted .....

### Additional equipment

- X** without .....

PS66.

### Length standpipe / Total length

316L (500-5950 mm) per 100 mm



Thank you for reading this data sheet.

For pricing or for further information, please contact us at our UK Office, using the details below.



**UK Office**

**Keison Products,**

**P.O. Box 2124, Chelmsford, Essex, CM1 3UP, England.**

**Tel: +44 (0)330 088 0560**

**Fax: +44 (0)1245 808399**

**Email: [sales@keison.co.uk](mailto:sales@keison.co.uk)**

Please note - Product designs and specifications are subject to change without notice. The user is responsible for determining the suitability of this product.